

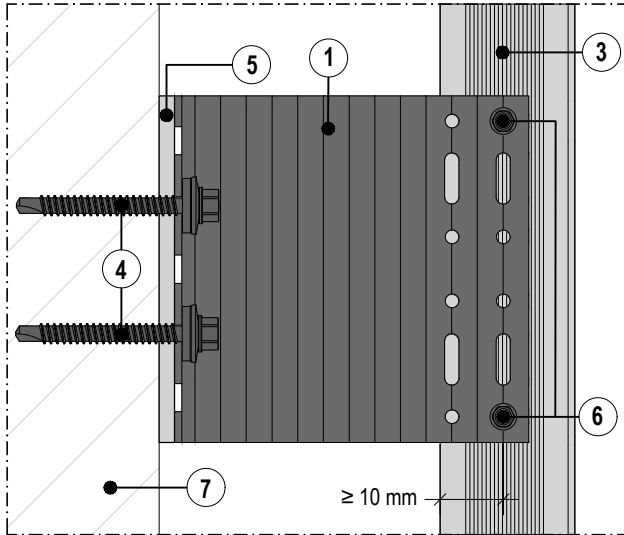
StoVentec® for Masonry Veneer Facades

StoVentro™ Aluminum Brackets - Large (FP) and Small (GP), with attachment locations for fixed points and sliding points

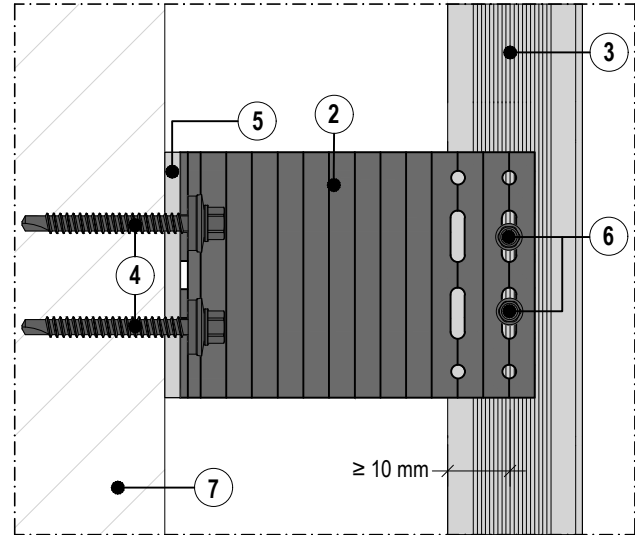
Section View

Date: June 2021

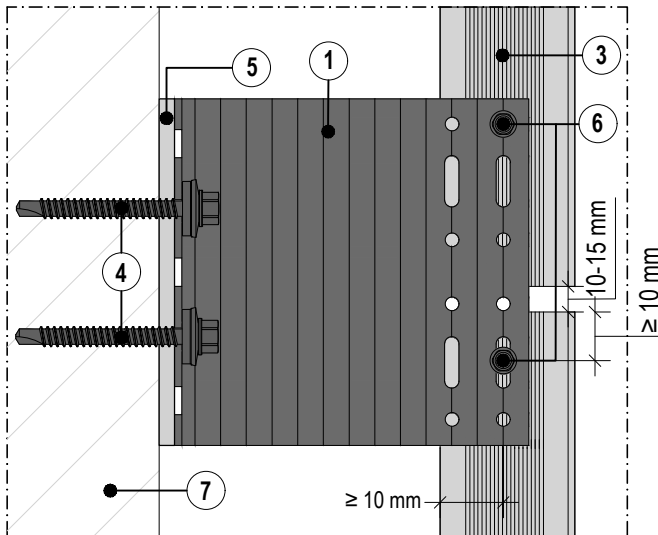
Detail No.: 90.M.047



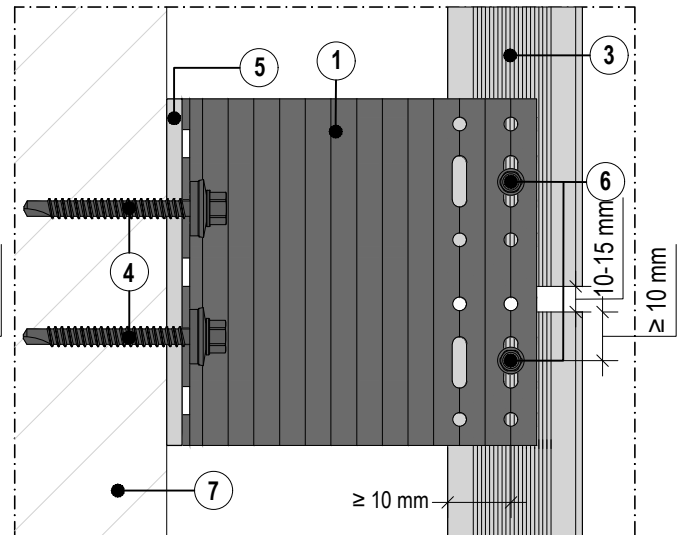
StoVentro™ ALUM Bracket - Large (FP) | Fixed point fastening



StoVentro™ ALUM Bracket - Small (GP) | Sliding point fastening



StoVentro™ ALUM Bracket - Large (FP) | Fixed & sliding point fastening



StoVentro™ ALUM Bracket - Large (FP) | Sliding point fastening

① StoVentro™ ALUM Bracket Large (FP)

② StoVentro™ ALUM Bracket Small (GP)

③ StoVentro™ T-Profile
④ Anchoring element in accordance with structural analysis

⑤ StoVentro™ Thermal Blocking Element

⑥ StoVentro™ Sub-construction Screw with self-drilling and over-tightening protection (5.5 x 22 mm)

⑦ Structural wall assembly (concrete, masonry, stud wall with sheathing)

ATTENTION

Note: All values are subject to structural analysis.

Sto products are intended for use by qualified professional contractors, not consumers, as a component of a larger construction assembly as specified by a qualified design professional, general contractor or builder. They should be installed in accordance with those specifications and Sto's instructions. Sto Corp. disclaims all, and assumes no, liability for on-site inspections, for its products applied improperly, or by unqualified persons or entities, or as part of an improperly designed or constructed building, for the nonperformance of adjacent building components or assemblies, or for other construction activities beyond Sto's control. Improper use of Sto products or use as part of an improperly designed or constructed larger assembly or building may result in serious damage to Sto products, and to the structure of the building or its components.

STO CORP. DISCLAIMS ALL WARRANTIES EXPRESSED OR IMPLIED EXCEPT FOR EXPLICIT LIMITED WRITTEN WARRANTIES ISSUED TO AND ACCEPTED BY BUILDING OWNERS IN ACCORDANCE WITH STO'S WARRANTY PROGRAMS WHICH ARE SUBJECT TO CHANGE FROM TIME TO TIME. For the fullest, most current information on proper application, clean-up, mixing and other specifications and warranties, cautions and disclaimers, please refer to the Sto Corp. website, www.stocorp.com.