



DEPARTMENT OF REGULATORY AND ECONOMIC RESOURCES (RER)  
BOARD AND CODE ADMINISTRATION DIVISION

**NOTICE OF ACCEPTANCE (NOA)**

MIAMI-DADE COUNTY  
PRODUCT CONTROL SECTION

11805 SW 26 Street, Room 208  
Miami, Florida 33175-2474  
T (786) 315-2590 F (786) 315-2599

[www.miamidade.gov/economy](http://www.miamidade.gov/economy)

**Sto Corporation**

3800 Camp Creek Parkway, Bldg. 1400 Ste. 120  
Atlanta, GA 30331

**SCOPE:** This NOA is being issued under the applicable rules and regulations governing the use of construction materials. The documentation submitted has been reviewed and accepted by Miami-Dade County RER-Product Control Section to be used in Miami-Dade County and other areas where allowed by the Authority Having Jurisdiction (AHJ).

This NOA shall not be valid after the expiration date stated below. The Miami-Dade County Product Control Section (In Miami-Dade County) and/ or the AHJ (in areas other than Miami-Dade County) reserve the right to have this product or material tested for quality assurance purposes. If this product or material fails to perform in the accepted manner, the manufacturer will incur the expense of such testing and the AHJ may immediately revoke, modify, or suspend the use of such product or material within their jurisdiction. RER reserves the right to revoke this acceptance, if it is determined by Miami-Dade County Product Control Section that this product or material fails to meet the requirements of the applicable building code.

This product is approved as described herein, and has been designed to comply with the Florida Building Code, including the High Velocity Hurricane Zone.

**DESCRIPTION:**

**Sto Powerwall HI Wall Panel System with Wire Lath and Stucco over 5/8" eXP. Gypsum Sheathing**

**APPROVAL DOCUMENT:** Drawing No. **PW-HI-0107**, titled "Sto Powerwall HI", sheets 1 through 3 of 3, prepared by the manufacturer, dated 10/21/2014, with revision **3** dated 05/04/2018, signed and sealed by Kurt W. Heinrichs, P.E., bearing the Miami-Dade County Product Control revision stamp with the Notice of Acceptance number and expiration date by the Miami-Dade County Product Control Section.

**MISSILE IMPACT RATING: Large and Small Missile Impact Resistant.**

**LABELING:** Each unit shall bear a permanent label with the manufacturer's name or logo, model (Powerwall HI), city, state and following statement: "Miami-Dade County Product Control Approved", unless otherwise noted herein. Each container (bucket or drum) needs to be labeled. Unit is further defined as each roll of reinforcing mat or mesh.

**RENEWAL** of this NOA shall be considered after a renewal application has been filed and there has been no change in the applicable building code negatively affecting the performance of this product.

**TERMINATION** of this NOA will occur after the expiration date or if there has been a revision or change in the materials, use, and/ or manufacture of the product or process. Misuse of this NOA as an endorsement of any product, for sales, advertising or any other purposes shall automatically terminate this NOA. Failure to comply with any section of this NOA shall be cause for termination and removal of NOA.

**ADVERTISEMENT:** The NOA number preceded by the words Miami-Dade County, Florida, and followed by the expiration date may be displayed in advertising literature. If any portion of the NOA is displayed, then it shall be done in its entirety.

**INSPECTION:** A copy of this entire NOA shall be provided to the user by the manufacturer or its distributors and shall be available for inspection at the job site at the request of the Building Official.

This NOA **revises and renews NOA # 15-0603.06** and consists of this page 1 and evidence pages E-1 and E-2, as well as approval document mentioned above.

The submitted documentation was reviewed by **Carlos M. Utrera, P.E.**



*[Signature]*  
10/6/12/2018

NOA No. 17-0725.02  
Expiration Date: August 2, 2022  
Approval Date: June 21, 2018  
Page 1

**Sto Corporation**

**NOTICE OF ACCEPTANCE: EVIDENCE SUBMITTED**

**1. EVIDENCE SUBMITTED UNDER PREVIOUS NOA'S**

**A. DRAWINGS *"Submitted under NOA # 15-0603.06"***

1. Drawing titled "Sto Powerwall HI", sheets 1 through 3 of 3, prepared by the manufacturer, dated 10/21/2014, signed and sealed by Kurt W. Heinrichs, P.E.

**B. TESTS *"Submitted under NOA # 07-0625.11"***

1. Test reports on
  - 1) Air Infiltration Test, per FBC, TAS 202-94
  - 2) Uniform Static Air Pressure Test, Loading per FBC TAS 202-94
  - 3) Water Resistance Test, per FBC, TAS 202-94
  - 4) Large Missile Impact Test per FBC, TAS 201-94
  - 5) Cyclic Wind Pressure Loading per FBC, TAS 203-94

along with marked-up drawings and installation diagram of Powerwall HI Wall Panels, prepared by Hurricane Test Laboratory, LLC, Test Report No. **G064-0101-07**, dated 01/15/2007, signed and sealed by Vinu J. Abraham, P.E.

**C. CALCULATIONS**

1. None.

**D. QUALITY ASSURANCE**

1. Miami-Dade Department of Regulatory and Economic Resources (RER)

**E. MATERIAL CERTIFICATIONS**

1. None

**F. STATEMENTS *"Submitted under NOA # 15-0603.06"***

1. Statement letter of code conformance to the 5<sup>th</sup> edition (2014) FBC issued by NOVA Engineering and Environmental, LLC, dated 04/09/2015, signed and sealed by Kurt W. Heinrichs, P.E.

***"Submitted under NOA # 07-0625.11"***

2. Code compliance letter issued by Hurricane Test Laboratory, LLC, dated 01/15/2007, signed and sealed by Vinu J. Abraham, P.E.
3. No financial interest and code compliance letter issued by Cerny & Ivey Engineers, Inc., dated 06/07/2007, signed and sealed by Christopher B. Shiver, P.E.



---

**Carlos M. Utrera, P.E.**  
**Product Control Examiner**  
**NOA No. 17-0725.02**  
**Expiration Date: August 2, 2022**  
**Approval Date: June 21, 2018**

**Sto Corporation**

**NOTICE OF ACCEPTANCE: EVIDENCE SUBMITTED**

**2. NEW EVIDENCE SUBMITTED**

**A. DRAWINGS**

1. Drawing No. **PW-HI-0107**, titled "Sto Powerwall HI", sheets 1 through 3 of 3, prepared by the manufacturer, dated 10/21/2014, with revision **3** dated 05/04/2018, signed and sealed by Kurt W. Heinrichs, P.E.

**B. TESTS**

1. Test reports on
  - 1) Air Infiltration Test, per FBC, TAS 202-94
  - 2) Uniform Static Air Pressure Test, Loading per FBC TAS 202-94
  - 3) Water Resistance Test, per FBC, TAS 202-94
  - 4) Large Missile Impact Test per FBC, TAS 201-94
  - 5) Cyclic Wind Pressure Loading per FBC, TAS 203-94

along with marked-up drawings and installation diagram of Powerwall HI Wall Panels, prepared by Intertek/ Architectural Testing, Inc., Test Report No. **G5683.06-550-18**, dated 05/26/2017, revised on 11/29/2017, signed and sealed by Justin P. McDonald, P.E.

**C. CALCULATIONS**

1. None.

**D. QUALITY ASSURANCE**

1. Miami-Dade Department of Regulatory and Economic Resources (RER)

**E. MATERIAL CERTIFICATIONS**

1. None.

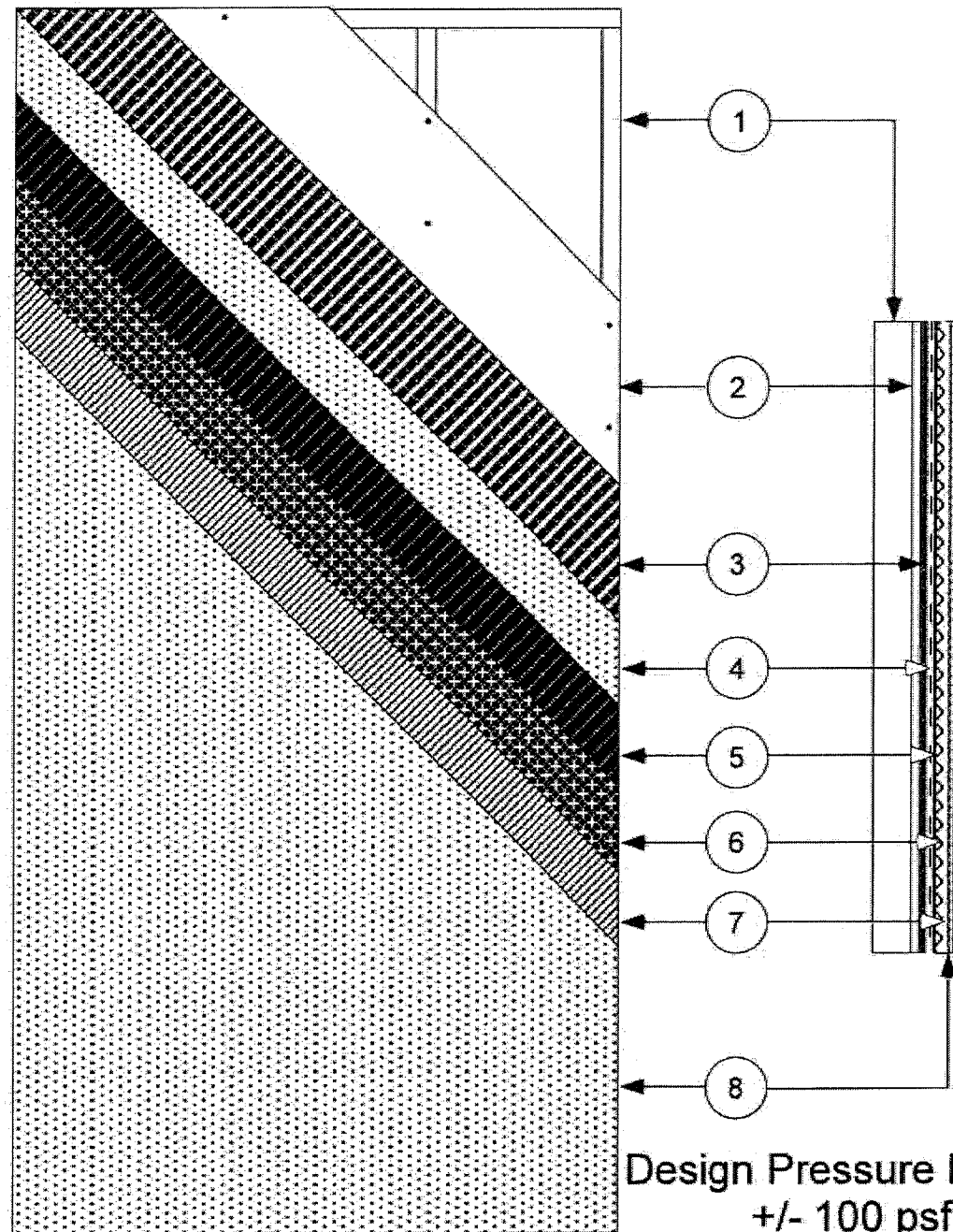
**F. STATEMENTS**

1. Statement letter of financial interest, issued by NOVA Engineering and Environmental, LLC, dated 02/07/2018, signed and sealed by Kurt W. Heinrichs, P. E.
2. Statement letter of code conformance to the 6<sup>th</sup> edition (2017) FBC, issued by NOVA Engineering and Environmental, LLC, dated 03/07/2018, signed and sealed by Kurt W. Heinrichs, P. E.



---

**Carlos M. Utrera, P.E.**  
**Product Control Examiner**  
**NOA No. 17-0725.02**  
**Expiration Date: August 2, 2022**  
**Approval Date: June 21, 2018**



**Description:**

**1.0 Substrates and Sto products approved with the system**

- 1.1 18 ga., 6" x 1 5/8" steel studs at 16" o.c.
- 1.2 5/8" National Gypsum eXP ASTM C 1177 compliant sheathing fastened to framing with No. 8 bugle head screws at 8" o.c. along studs and perimeter
- 1.3 Sto Primer/Adhesive-B polymer modified portland cement base coat used to embed reinforcing mesh on sheathing
- 1.4 Sto Armor Mat XX, 20 oz./yd<sup>2</sup> glass fiber reinforcing embedded in Sto Primer/Adhesive-B on sheathing
- 1.5 StoGuard with Sto EmeraldCoat air and moisture barrier coating applied to dry Sto Primer/Adhesive-B
- 1.6 Sto Powerwall Stucco: pre-bagged portland cement stucco mixed with sand and water in the field
- 1.7 Sto finish: Ready-to-use polymeric finish

**2.0 Application**


- 2.1 Sto Primer/Adhesive-B base coat is mixed in accordance with written instructions on the bag and used to fully embed Sto Armor Mat XX reinforcing mesh on the sheathing surface. Base coat is allowed to dry overnight.
- 2.2 Sto Guard with Sto EmeraldCoat is applied to the dry base coat in accordance with Sto written instructions.
- 2.3 One layer of Type D, No. 15 asphalt saturated kraft paper is placed over dry Sto EmeraldCoat as a slip-sheet.
- 2.4 Fasten 2.5 lb/yd<sup>2</sup> self-furring, galvanized expanded metal lath to the framing at 7" o.c. using No. 6 x 1 5/8" wafer head screws in accordance with ASTM C 1063.
- 2.5 Apply Sto Powerwall stucco as scratch and brown coat. Mix stucco with approximately 200 lbs of clean sand and potable water in accordance with instructions printed on bag. Moist cure brown coat minimum 48 hours, then allow to dry, before applying finish
- 2.6 Mix Sto finish to a uniform consistency and apply with a clean stainless steel trowel.

**General Notes:**

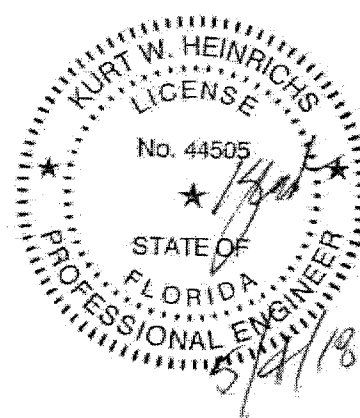
- 1. This system has been designed in accordance with the Florida Building Code, 2017 Edition.
- 2. This system has been tested in accordance with Florida Building Code TAS 201, TAS 202, and TAS 203.
- 3. This system shall be applied by a licensed plastering contractor.
- 4. The Engineer or Architect of Record for each project using this system shall design the framing and sheathing as required by governing codes and this document.
- 5. All studs used with this system shall be completely sheathed at the interior flange or bridged at a maximum every 5 ft. of stud length or as specified by stud manufacturer.
- 6. All steel studs shall be structural with 1 5/8" minimum flange width and a minimum yield strength of 33000 psi.

**KEY:**

- ① 1 5/8" by 6", 18 ga steel studs at 16" o.c.
- ② 5/8" National Gypsum eXP ASTM C1177 compliant sheathing fastened with No. 8 bugle head screws at 8" o.c.
- ③ Sto Armor Mat XX embedded in Sto Primer/Adhesive-B
- ④ StoGuard with Sto EmeraldCoat
- ⑤ One layer Type D No. 15 asphalt saturated kraft paper slip sheet
- ⑥ 2.5 lb/yd<sup>2</sup> galv. expanded metal lath fastened to studs at 7" o.c.
- ⑦ StoPowerwall Stucco
- ⑧ Sto finish

**PRODUCT REVISED**  
 as complying with the Florida Building Code  
 NOA-No. 17-0725.02  
 Expiration Date 08/02/2022  
 By   
 Miami-Dade Product Control

Review by:



**Sto Powerwall HI**  
 Large Missile Impact Stucco System  
 over frame construction

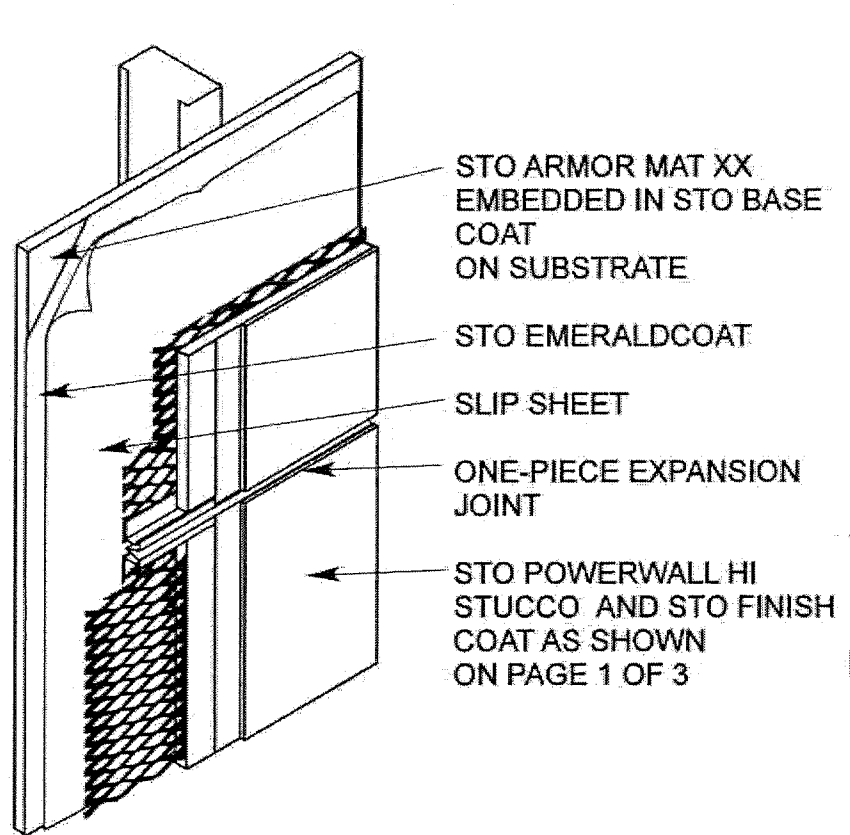
Sto Corp.  
 3800 Camp Creek Pkwy  
 Bldg. 1400, Ste 120  
 Atlanta, GA 30331

Drawing: PAGE 1 of 3  
 PW-HI-0107 R3

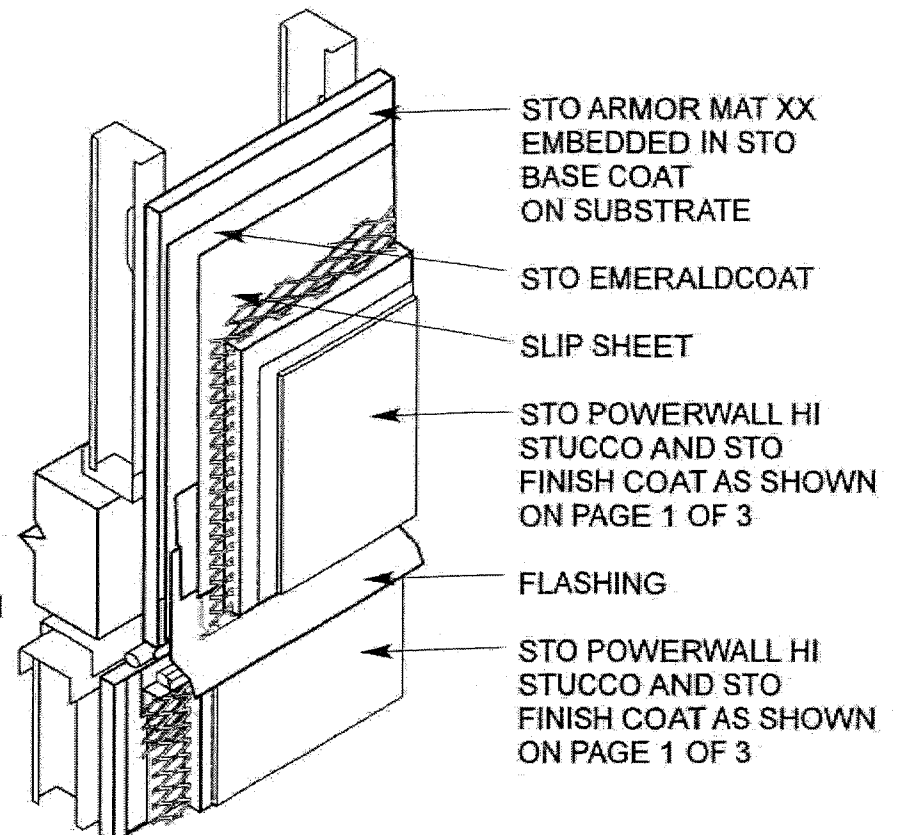
May 2018

Not to Scale

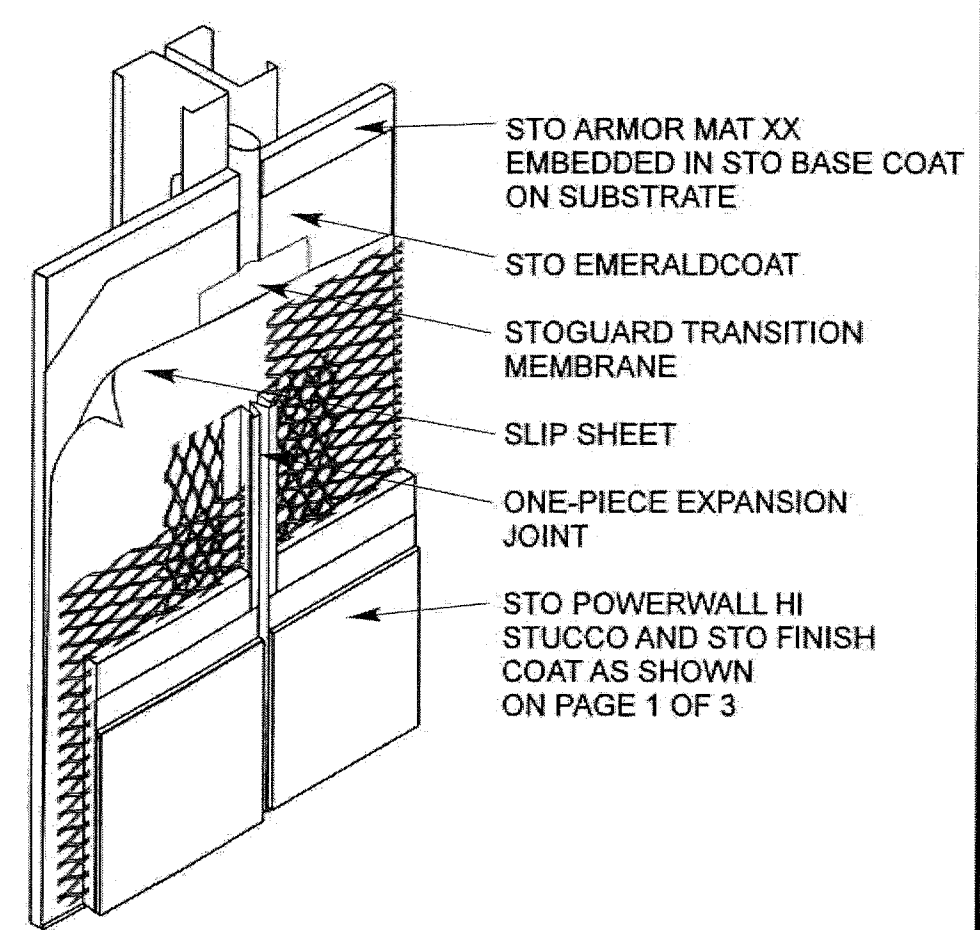
Drawn by: TLV



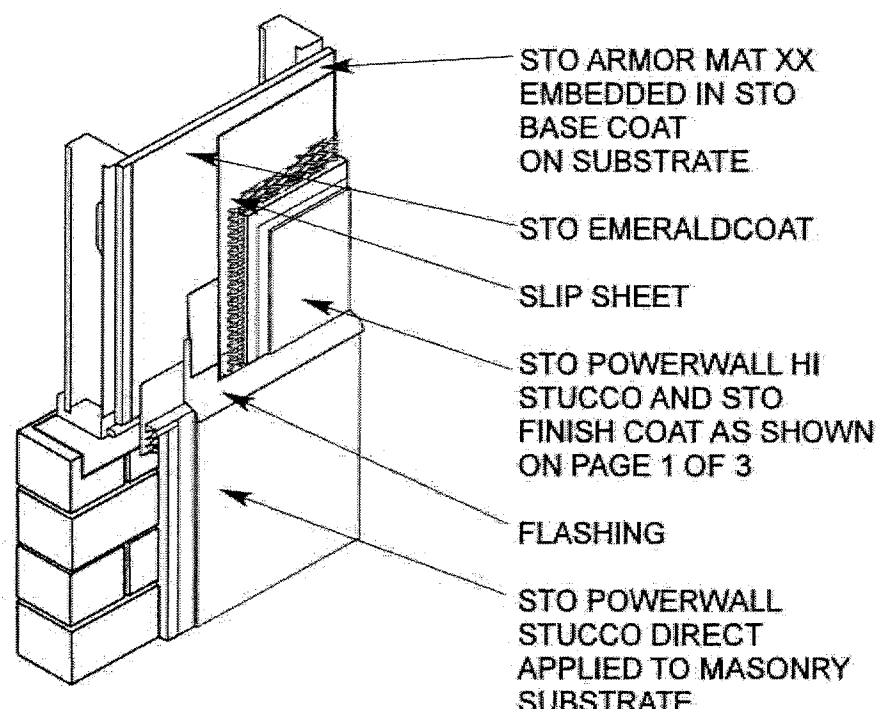
ONE PIECE CONTROL JOINT




FLOOR LINE JOINT WITH FLASHING



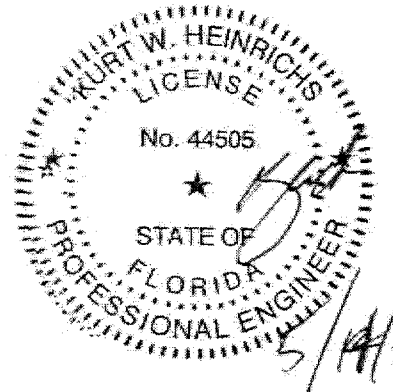
ONE PIECE EXPANSION JOINT



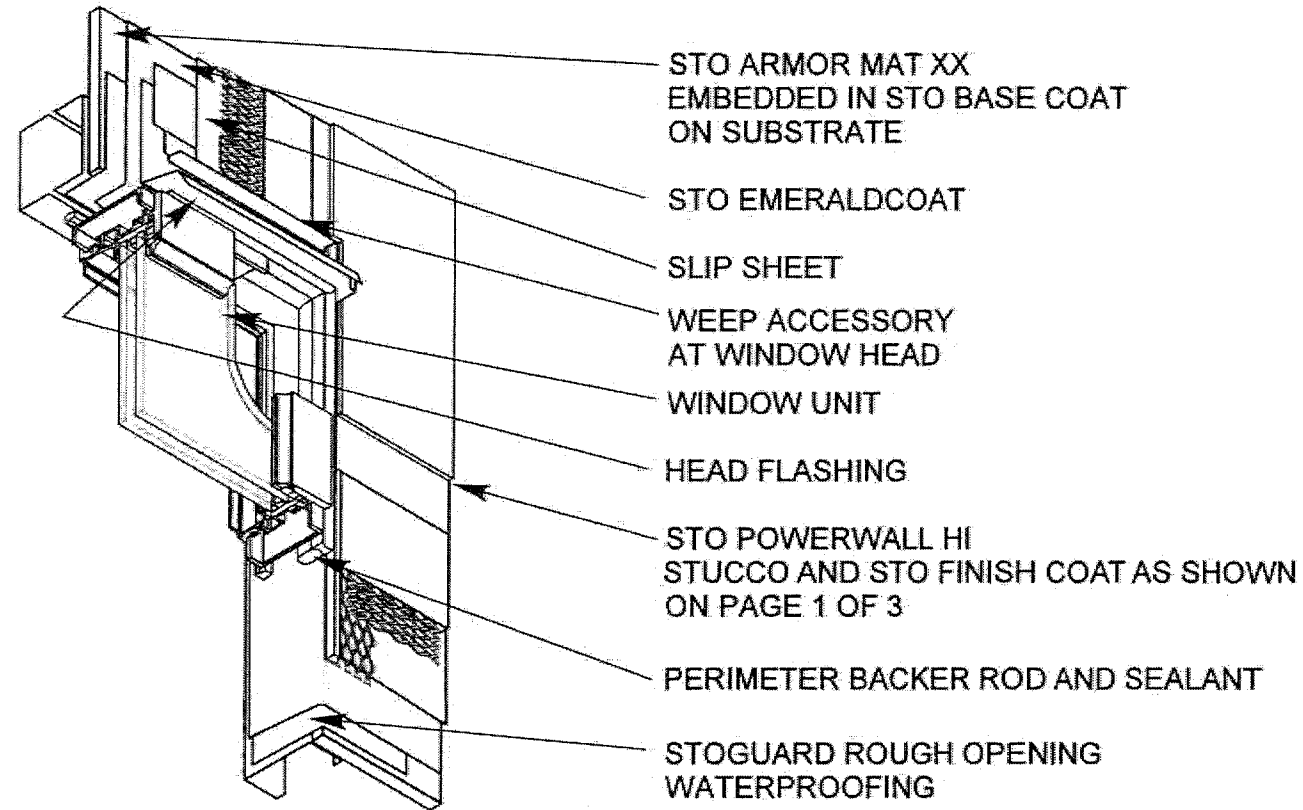
TRANSITION TO MASONRY CONSTRUCTION BELOW

**PRODUCT REVISED**  
 as complying with the Florida  
 Building Code  
 NOA-No. 17-0725.02  
 Expiration Date 08/02/2022  
 By   
 Miami-Dade Product Control

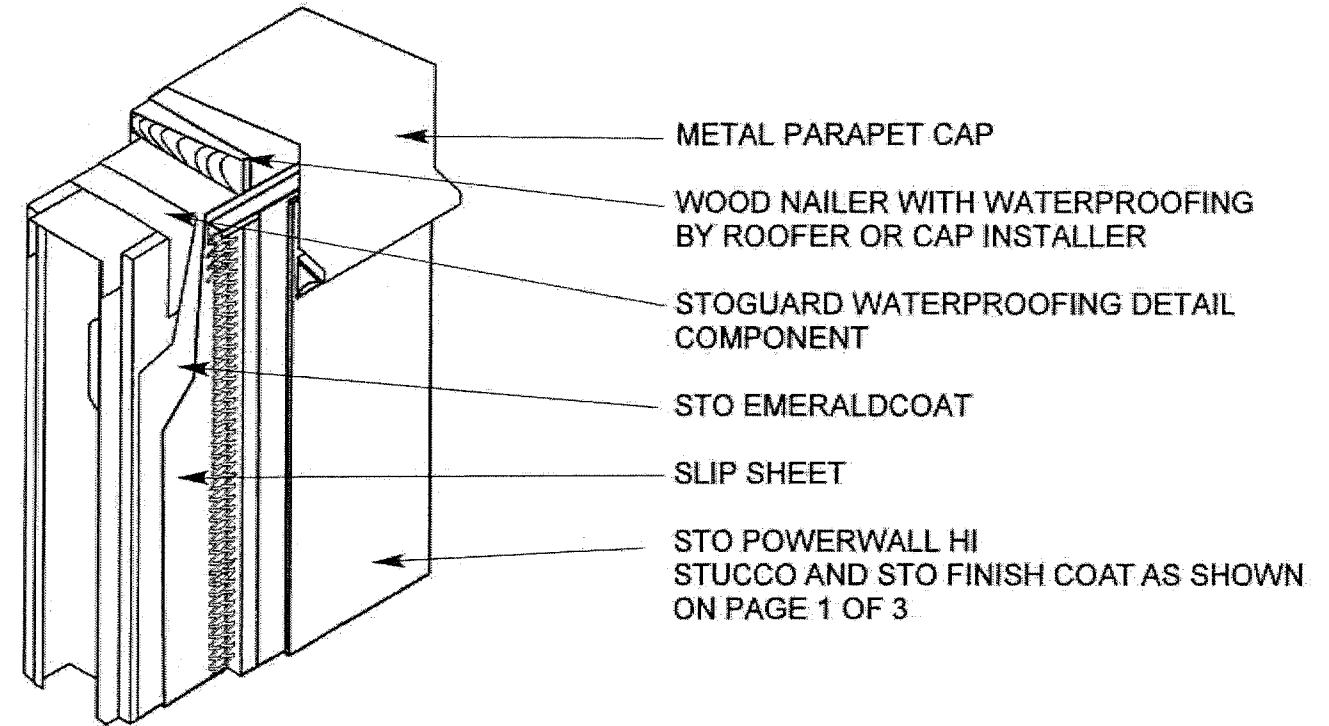
Review by:



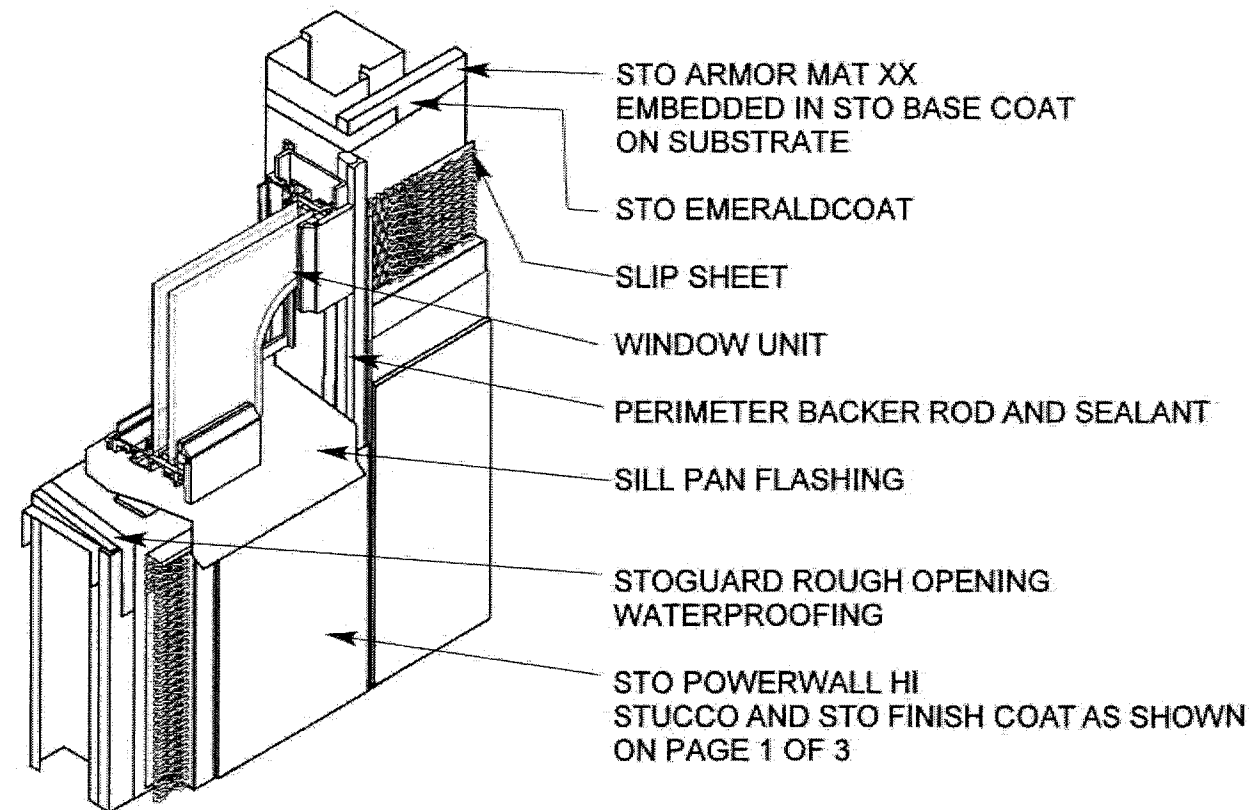
<b>TYPICAL DETAIL SHEET</b>		
<b>Sto Powerwall HI</b> Large Missile Impact Stucco System over frame construction		
Sto Corp. 3800 Camp Creek Pkwy Bldg. 1400, Ste 120 Atlanta, GA 30331	Drawing: PAGE 2 of 3 PW-HI-0107 R3	
May 2018	Not to Scale	Drawn by: TLV




WINDOW HEAD AND JAMB



PARAPET CAP

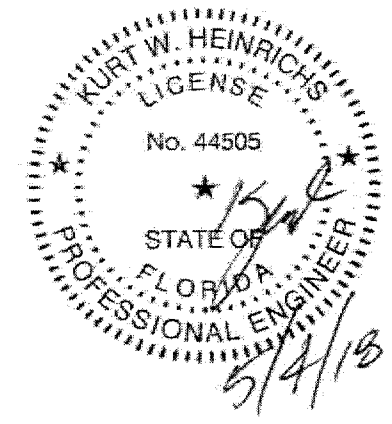


WINDOW SILL AND JAMB

**PRODUCT REVISED**  
as complying with the Florida  
Building Code  
NOA-No. 17-0725.02  
Expiration Date 08/02/2022  
By   
Miami-Dade Product Control

TYPICAL DETAIL SHEET

Review by:



<b>Sto Powerwall HI</b> Large Missile Impact Stucco System over frame construction		
Sto Corp. 3800 Camp Creek Pkwy Bldg. 1400, Ste 120 Atlanta, GA 30331	Drawing: PAGE 3 OF 3 PW-HI-0107 R2	
May 2018	Not to Scale	Drawn by: TLV