



**MIAMI-DADE COUNTY**  
BUILDING CODE COMPLIANCE OFFICE (BCCO)  
PRODUCT CONTROL DIVISION

MIAMI-DADE COUNTY, FLORIDA  
METRO-DADE FLAGLER BUILDING  
140 WEST FLAGLER STREET, SUITE 1603  
MIAMI, FLORIDA 33130-1563  
(305) 375-2901 FAX (305) 372-6339

**NOTICE OF ACCEPTANCE (NOA)**

[www.maimidade.gov/buildingcode](http://www.maimidade.gov/buildingcode)

**Sto Corporation**  
3800 Camp Creek Parkway  
Building 1400 Suite 120  
Atlanta, GA 30331

**SCOPE:**

This NOA is being issued under the applicable rules and regulations governing the use of construction materials. The documentation submitted has been reviewed by Miami-Dade County Product Control Division and accepted by the Board of Rules and Appeals (BORA) to be used in Miami Dade County and other areas where allowed by the Authority Having Jurisdiction (AHJ).

This NOA shall not be valid after the expiration date stated below. The Miami-Dade County Product Control Division (In Miami Dade County) and/or the AHJ (in areas other than Miami Dade County) reserve the right to have this product or material tested for quality assurance purposes. If this product or material fails to perform in the accepted manner, the manufacturer will incur the expense of such testing and the AHJ may immediately revoke, modify, or suspend the use of such product or material within their jurisdiction. BORA reserves the right to revoke this acceptance, if it is determined by Miami-Dade County Product Control Division that this product or material fails to meet the requirements of the applicable building code.

This product is approved as described herein, and has been designed to comply with the Florida Building Code, including the High Velocity Hurricane Zone.

**DESCRIPTION: Sto Class PB Exterior Insulation Finish System – (S.M.I)**

**APPROVAL DOCUMENT:** Drawing No. SM-ST01, titled "Sto Class PB EIF System (S.M.I.)", sheets 1 through 3 of 3, dated 01/18/08, with no revision, prepared by Cerny & Ivey Engineers, Inc., signed and sealed by Christopher B. Shiver, P.E., bearing the Miami-Dade County Product Control Renewal stamp with the Notice of Acceptance number and expiration date by the Miami-Dade County Product Control Division.

**MISSILE IMPACT RATING: Small Missile Impact Resistant**

**LABELING:** Each unit shall bear a permanent label with the manufacturer's name or logo, city, state and following statement: "Miami-Dade County Product Control Approved", unless otherwise noted herein.

**RENEWAL** of this NOA shall be considered after a renewal application has been filed and there has been no change in the applicable building code negatively affecting the performance of this product.

**TERMINATION** of this NOA will occur after the expiration date or if there has been a revision or change in the materials, use, and/or manufacture of the product or process. Misuse of this NOA as an endorsement of any product, for sales, advertising or any other purposes shall automatically terminate this NOA. Failure to comply with any section of this NOA shall be cause for termination and removal of NOA.

**ADVERTISEMENT:** The NOA number preceded by the words Miami-Dade County, Florida, and followed by the expiration date may be displayed in advertising literature. If any portion of the NOA is displayed, then it shall be done in its entirety.

**INSPECTION:** A copy of this entire NOA shall be provided to the user by the manufacturer or its distributors and shall be available for inspection at the job site at the request of the Building Official.

This NOA renews NOA # 02-0919.01 and consists of this page 1 and evidence page E-1, as well as approval document mentioned above.

The submitted documentation was reviewed by Carlos M. Utrera, P.E.



*Signature*  
5/20/08

NOA No. 07-0326.01  
Expiration Date: August 15, 2012  
Approval Date: June 12, 2008  
Page 1

**NOTICE OF ACCEPTANCE: EVIDENCE SUBMITTED**

**A. DRAWINGS**

1. Drawing No. **SM-ST01**, titled "Sto Class PB EIF System (S.M.I.)", sheets 1 through 3 of 3, dated 01/18/08, with no revision, prepared by Cerny & Ivey Engineers, Inc., signed and sealed by Christopher B. Shiver, P.E.

**B. TESTS**

1. Test reports on
  - 1) Air Infiltration Test, per FBC, TAS 202-94
  - 2) Uniform Static Air Pressure Test, Loading per FBC TAS 202-94
  - 3) Water Resistance Test, per FBC, TAS 202-94
  - 4) Small Missile Impact Test per FBC, TAS 201-94
  - 5) Cyclic Wind Pressure Loading per FBC, TAS 203-94along with marked-up drawings and installation diagram of Sto Class PB Hurricane Impact System, prepared by Hurricane Test Laboratory, LLC, Test Report No. **HTL # G064-0103-08**, dated 02/11/08, signed and Vinu J. Abraham, P.E.

**C. CALCULATIONS**

1. None.

**D. QUALITY ASSURANCE**

1. Miami Dade Building Code Compliance Office (BCCO).

**E. MATERIAL CERTIFICATIONS**


1. Notice of Acceptance No. **07-1107.08** issued to Dyplast Products, LLC, for their "EPS Block Type Insulation", dated 02/28/08, expiring on 01/11/12.

**F. STATEMENTS**

1. Statement letter of no change issued by Sto Corporation, dated 03/19/06, signed by Abe Koury.
2. Laboratory compliance letter for Test Report No. **HTL # G064-0103-08**, issued by Hurricane Test Laboratory, LLC, dated 02/11/08, signed and sealed by Jose E. Colon, E.I.
3. Statement letter of code compliance and no financial interest issued by Cerny & Ivey Engineers, Inc., dated 05/07/08, signed and sealed by Christopher B. Shiver, P.E.

**G. OTHER**

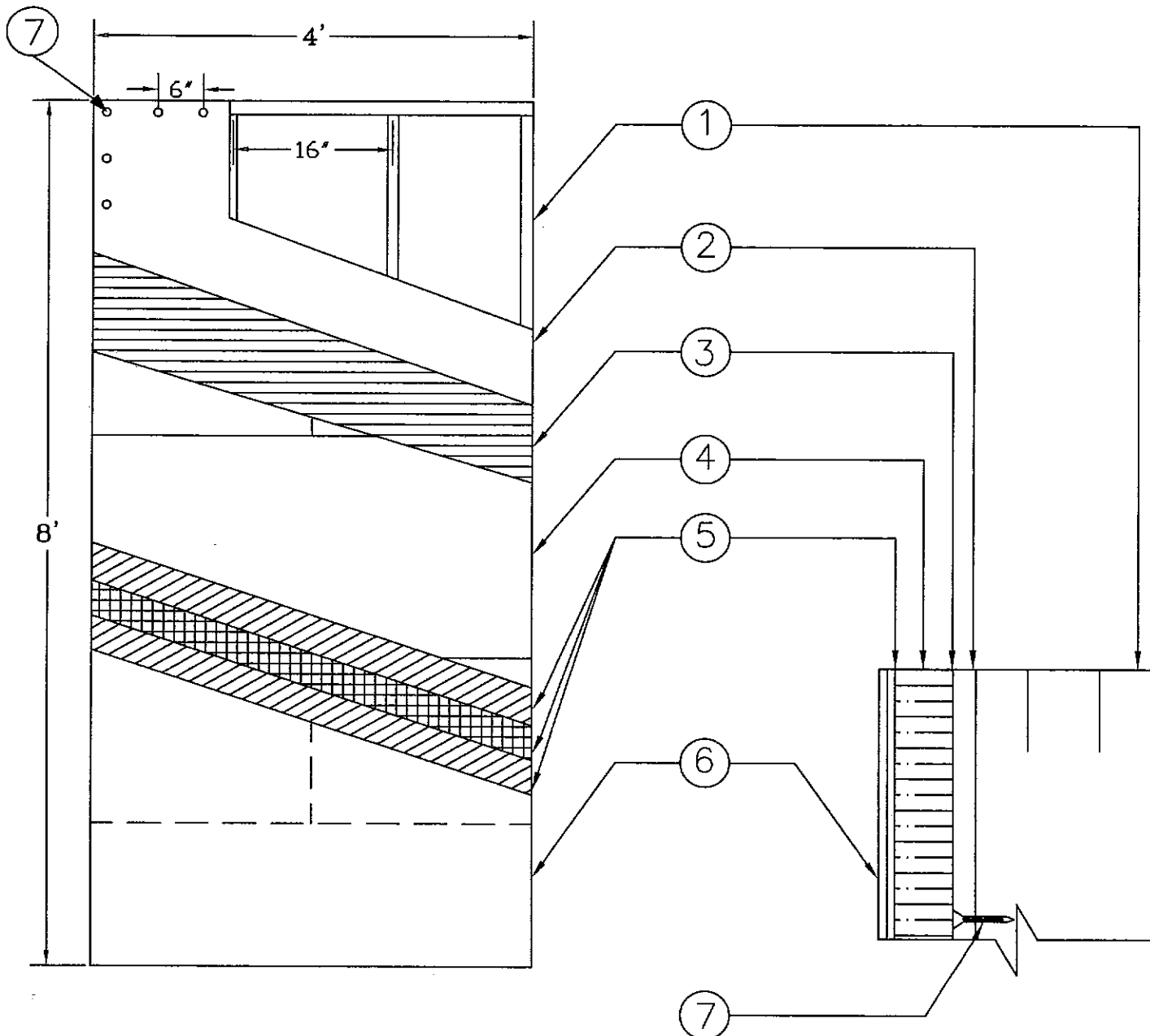
1. Notice of Acceptance No. **02-0919.01**, issued to Sto Corporation for their Sto Class PB Exterior Insulation and Finish System, approved on 11/21/02 and expiring on 08/15/07.

  
5/20/08

Carlos M. Utrera, P.E.  
Product Control Examiner  
NOA No. 07-0326.01

Expiration Date: August 15, 2012

Approval Date: June 12, 2008



RATED DESIGN PRESS +/- 125 PSF

Section

KEY:	
① 6" Steel Studs (16 ga) @ 16" O.C.	⑥ Stolit Finish
② 5/8" Dens Glass Gold Gypsum Sheathing.	⑦ #8 x 1-1/4" Wafer Head Screws @ 6" o.c. to all framing members.
③ Sto PAB Adhesive	
④ EPS Board @ 1-1/2"	
⑤ Sto PAB & Sto Mesh Embedded	

Description:

1.1 Substrates and Sto products approved with the system

- 1.1.1 Dens Glass Gold sheathing over steel studs. 6" x 1- 5/8" x16 ga. Steel studs @ 16" o.c with 5/8" Dens Glass Gold sheathing fastened to the steel studs with No.8 x 1- 1/4 corrosion resistant wafer head screws @ 6" o.c. around the perimeter and the intermediate studs.
- 1.1.2 All substrate approved under this Notice of Acceptance shall be designed by a Florida Professional Engineer or Registered Architect according to the 2004 Florida Building Code and the minimum standards established here. Provisions for diaphragm action are necessary for gypsum wall substrate and the deflection shall be limited to L/360 on all cases.

1.2 Components of the System

- 1.2.1 Sto PAB Adhesive  
A polymer cement based adhesive and base coat available in 60 lb bags, mixed with clean water and applied to the substrate per the manufacturer's recommendation to form a 1/8" coat with a 1/2" x 1/2" u-notch stainless steel trowel.
- 1.2.3 Insulation Boards  
Duplast 1-1/2" thick EPS boards in compliance with ASTM C-578 type I and 1.07 lb/cf density as approved under Notice of Acceptance #06-1011.05. Sto PAB adhesive is applied uniformly in ribbons parallel to the long dimension to the back of the 1-1/2" thick Duplast boards using a 1/2" x 1/2" stainless steel U notched trowel. The boards shall be placed, applying pressure in a running bond pattern with the long dimension horizontal and from a level base starting line. Butt all joints tightly to avoid thermal breaks. Adhesive should not get between joints. After the insulation boards cover the entire surface, fill voids with slivers of insulation. When the boards are firmly adhered to the substrate, rasp all irregularities to achieve a smooth surface. This application shall be to dry completely before the next step.
- 1.2.3 Sto Mesh  
A normal 4.8 oz./sq. symmetrical, interlaced open-weave glass fabric made with minimum 25% by weight alkaline resistance coating for compatibility with Sto materials. Available in rolls 38" wide. Sto PAB is mixed again and applied by trowel to a uniform thickness of 1/16" to the face of the Duplast boards. Work horizontally or vertically in strips of 40" and immediately imbed the mesh into the wet base trowling from the center to the edge of the mesh. Overlap the mesh no less than 2-1/2", double lap all inside and outside corners 2-1/2" in all directions and backwrap mesh edges and sides. The mesh shall be fully embedded so the color does not show through the base coat and it shall be allowed to dry for 12 hours before applying the Stolit finish.
- 1.2.4 Sto Stolit Finish  
A ready mix, acrylic based, textured wall coating. Stolit finish is mixed with a high speed electronic mixer and applied and textured by trowel to a thickness of 1/16". Apply on a continuous application working from the wet toward the unfinished area.

General Notes:

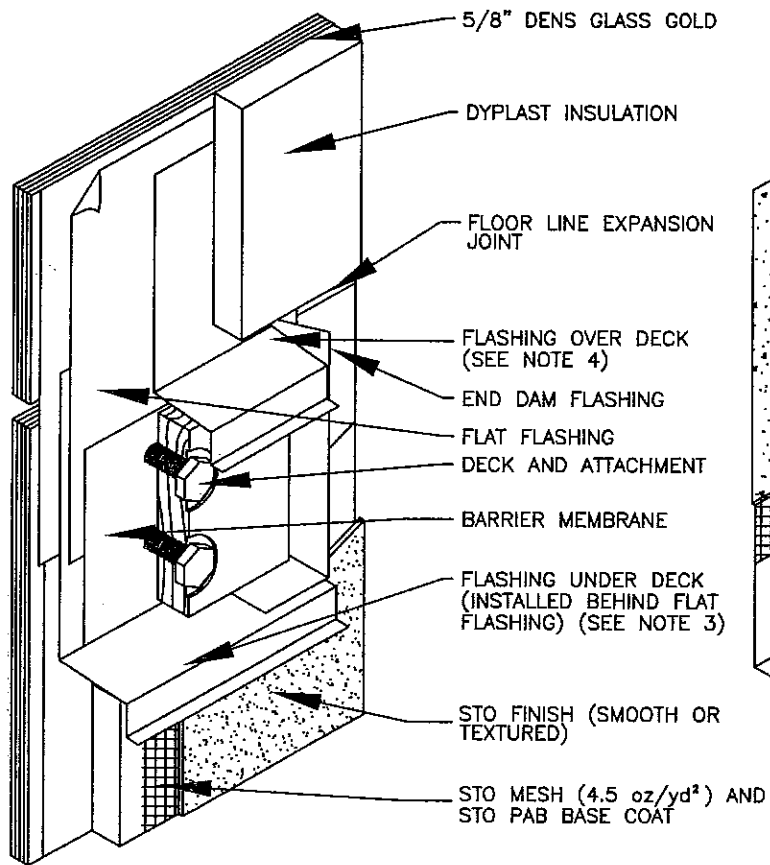
- 1) This system has been designed in accordance with the Florida Building Code (FBC), 2004 Edition and its latest supplements.
- 2) This system has been tested in accordance with Dade County Protocol TAS 201, PA-202, and PA 203 Small Missile Impact Structural and Cyclic Testing.
- 3) This system shall be applied by a licensed plastering contractor following the recommendations of Sto Corp. This notice of acceptance and the applicable sections of the Florida Building Code (FBC), 2004.
- 4) The Engineer and/or Architect of record for each project using this system shall size all stud framing to ensure conformance with stud deflection and stress limitations as required by governing codes and this document.
- 5) Insulation boards shall be placed in a running bond pattern.
- 6) All studs used with this system shall be completely sheathed at the interior flange or bridged at maximum every 5 ft. of stud length or as specified by stud manufacturer.
- 7) All steel studs shall be structural with 1-5/8" min. flange width and have minimum yield strength of 33000 PSI.
- 8) Details on pages 2/3 of 3 are typical and show intent to prevent water infiltration in to and behind the system. Alternate details and specific conditions not covered by the typical details are the responsibility of the licensed design professional in consultation with Sto Corp.

PRODUCT RENEWED  
as complying with the Florida  
Building Code  
Acceptance No. 07-0376.01  
Expiration Date 03/15/2012  
By [Signature]  
Miami Dade Product Control  
Division

[Signature]

STO CORP.  
3800 Camp Creek Pky  
Bldg 1400 Suite 120  
Atlanta GA 30331  
for  
Sto Class PB  
EIF System  
Small Missile  
Impact Resistance  
Drawing No. SM-STO1  
Page No 1 of 3 Date 1-18-08  
Not To Scale

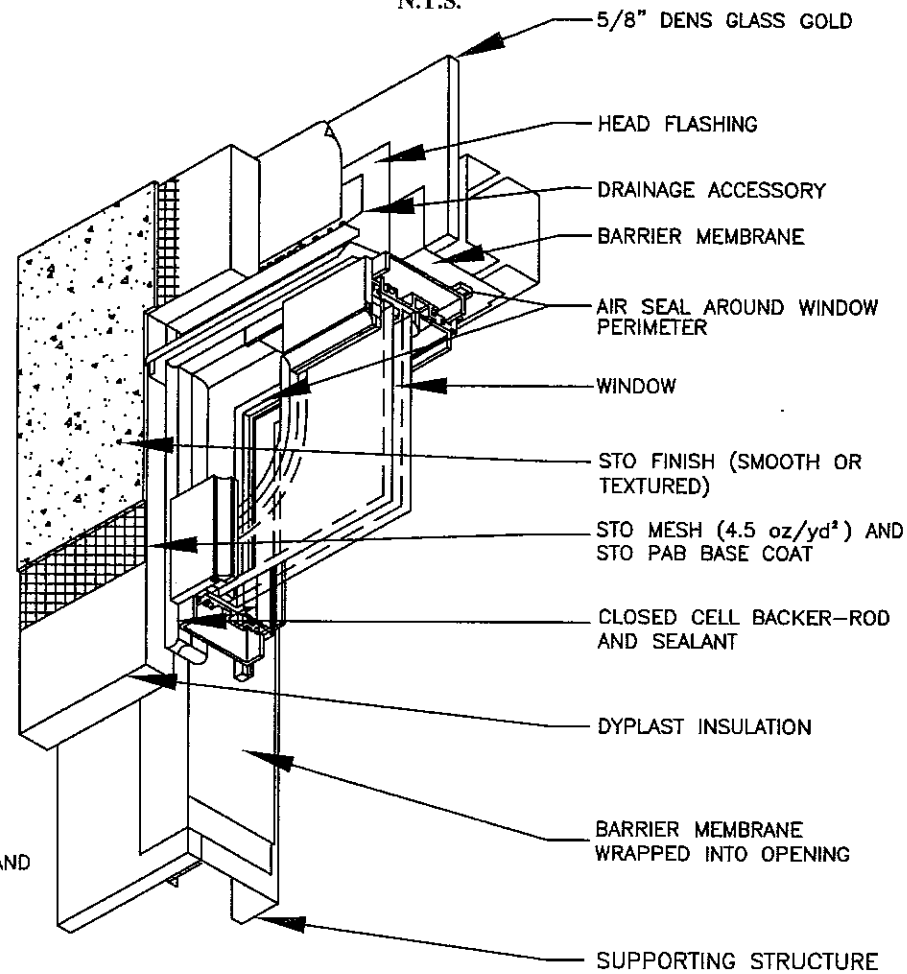
**TERMINATION AT DECK**  
N.T.S.



**Notes:**

1. The deck attachment method is independent of the cladding. Care must be taken to prevent water penetration into the wall assembly via the attachment mechanism.
2. Provide flat metal flashing on the surface of the wall where the deck is to be attached so that the finished stucco will overlap it a minimum 4" (100mm).
3. Slide a folded flashing up under the first flat flashing and position below the planned position of deck.
4. Provide a folded flashing over the planned deck position to direct water away from the deck connections.
5. Provide flashing end dams on each side of the second folded flashing. Set the end dams in sealant.
6. Provide barrier membrane over the flashing so it will be positioned behind the deck ledger.
7. Terminate the stucco a minimum of 2" (50mm) above the deck and 3/8" (10mm) from the perimeter of the flashing.

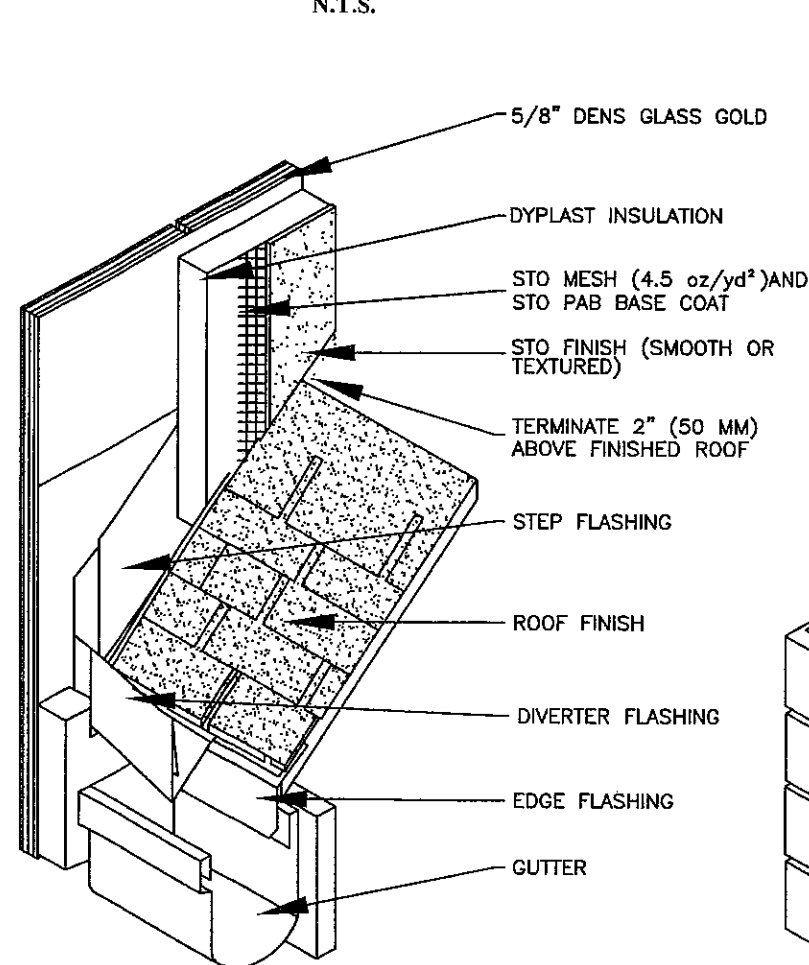
**WINDOW JAMB**  
N.T.S.



**Notes:**

1. Provide flashing installed over the window to direct water away from the window. Verify requirements for head flashing with local codes and window manufacturer. If not required, seal between window and stucco.
2. Protect rough opening against water penetration by wrapping with a barrier membrane.
3. Provide continuous air barrier connection around perimeter of the window to reduce leaking, condensation related to air movement and sound and insect intrusion.
4. Provide window insert to optimize sealant configuration.

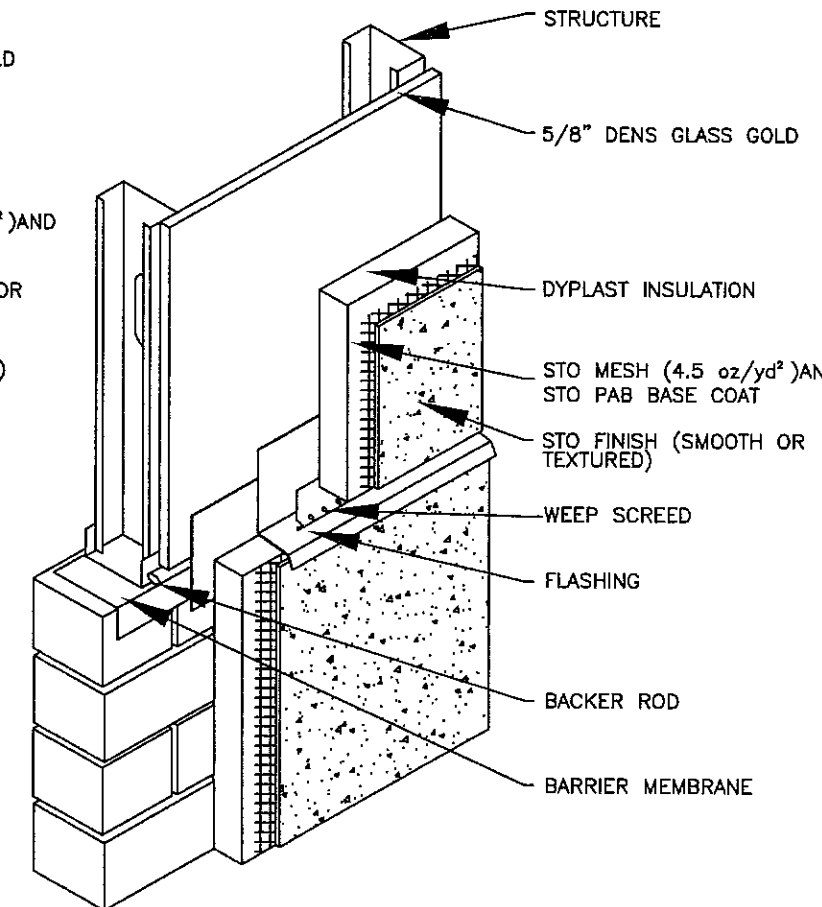
**OVERHANG**  
N.T.S.



**Notes:**

1. Provide continuous roof flashing (as required by a design professional) to divert water from entering into wall system.
2. Seal Sto System termination to the diverter flashing to prevent water from penetrating Sto System.

**CONSTRUCTION JOINT**  
N.T.S.



**Notes:**

1. Provide a drained joint at the interface of frame and masonry substrates.

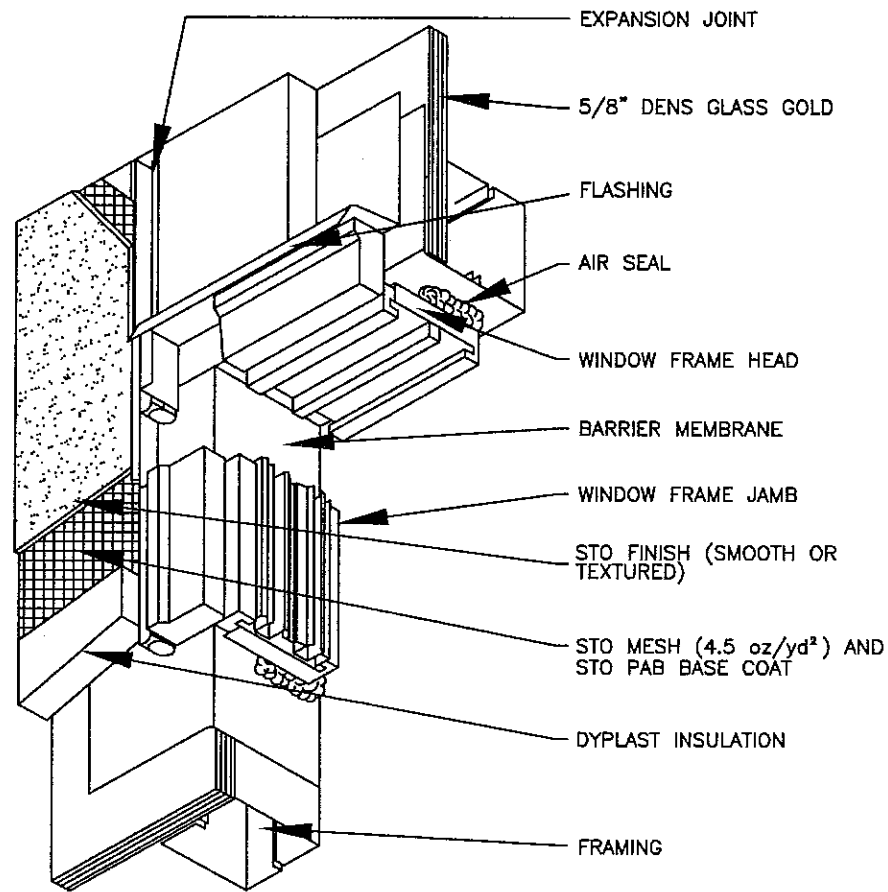
PRODUCT RENEWED  
as complying with the Florida  
Building Code  
Acceptance No 07-0326-01  
Expiration Date 08/15/2012  
By [Signature]  
Miami Field Product Control  
Division

[Signature]

STO CORP.  
3800 Camp Creek Pky  
Bldg 1400 Suite 120  
Atlanta GA 30331  
for  
Sto Class PB  
EIF System  
Small Missile  
Impact Resistance  
Drawing No. SM-STO1  
Page No 2 of 3 Date 1-18-0  
Not To Scale

### WINDOW HEAD

N.T.S.

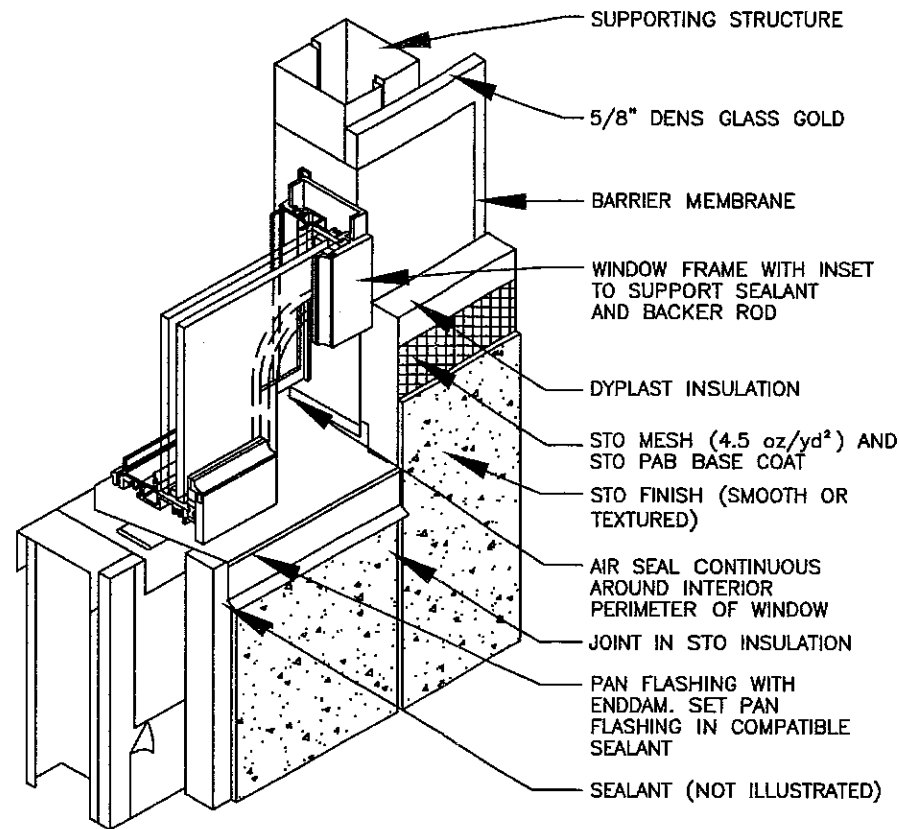


Notes:

1. Protect the rough opening from water penetration by wrapping with a barrier membrane. Direct any water penetration to the exterior at or above the sill flashing.
2. Provide head flashing over the window to direct water away from the window. Fold flashing over the window head-jamb interface.

### WINDOW SILL

N.T.S.

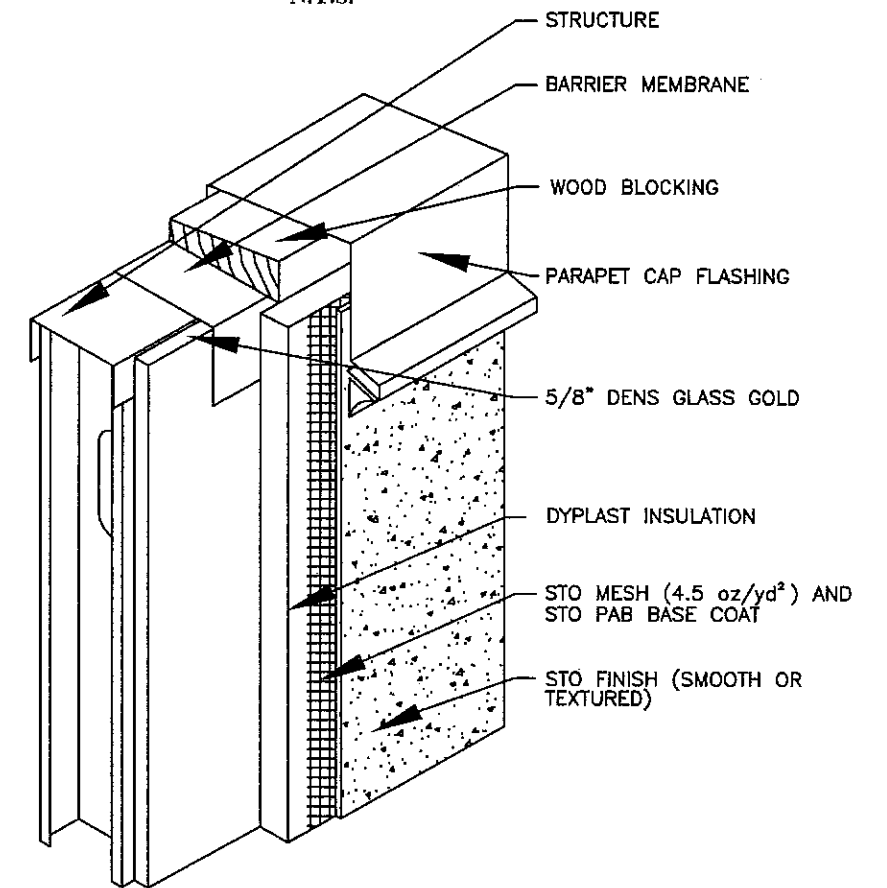


Notes:

1. Protect exposed STO EIFS at sill from weather damage during construction until permanently protected with sill and sealant.
2. Pan flashing @ jamb.

### PARPET

N.T.S.



Notes:

1. Protect exposed STO EIFS at parapet from weather damage during construction until permanently protected with capping.
2. Extend dimension of capping overlap for multi-story construction/coastal regions to prevent wind driven rain from entering behind system.

PRODUCT RENEWED  
as complying with the Florida  
Building Code  
Acceptance No. 07-0326-01  
Expiration Date 08/13/2012  
By *[Signature]*  
Miami Dade Product Control  
Division

*[Signature]*

STO CORP.  
3800 Camp Creek Pky  
Bldg 1400 Suite 120  
Atlanta GA 30331  
for  
Sto Class PB  
EIF System  
Small Missile  
Impact Resistance  
Drawing No. SM-STO1  
Page No 3 of 3 Date 1-18-08  
Not To Scale