



BUILDING CODE COMPLIANCE OFFICE (BCCO)
PRODUCT CONTROL DIVISION

MIAMI-DADE COUNTY, FLORIDA
METRO-DADE FLAGLER BUILDING
140 WEST FLAGLER STREET, SUITE 1603
MIAMI, FLORIDA 33130-1563
(305) 375-2901 FAX (305) 372-6339

NOTICE OF ACCEPTANCE (NOA)

www.miamidade.gov/buildingcode

Sto Corporation
3800 Camp Creek Parkway
Bldg 1400, Ste 120
Atlanta, GA 30331

SCOPE:

This NOA is being issued under the applicable rules and regulations governing the use of construction materials. The documentation submitted has been reviewed by Miami-Dade County Product Control Division and accepted by the Board of Rules and Appeals (BORA) to be used in Miami Dade County and other areas where allowed by the Authority Having Jurisdiction (AHJ).

This NOA shall not be valid after the expiration date stated below. The Miami-Dade County Product Control Division (In Miami Dade County) and/or the AHJ (in areas other than Miami Dade County) reserve the right to have this product or material tested for quality assurance purposes. If this product or material fails to perform in the accepted manner, the manufacturer will incur the expense of such testing and the AHJ may immediately revoke, modify, or suspend the use of such product or material within their jurisdiction. BORA reserves the right to revoke this acceptance, if it is determined by Miami-Dade County Product Control Division that this product or material fails to meet the requirements of the applicable building code.

This product is approved as described herein, and has been designed to comply with the Florida Building Code, including the High Velocity Hurricane Zone.

DESCRIPTION: Sto Therm DG-1 EIFS System

APPROVAL DOCUMENT: Drawing No. DG-ST01, titled "Sto Therm EIFS DG-1", sheets 1 through 3 of 3, prepared by Sto Corporation, dated 01/27/09, signed and sealed by Christopher B. Shiver, P.E., bearing the Miami-Dade County Product Control approval stamp with the Notice of Acceptance number and approval date by the Miami-Dade County Product Control Division.

MISSILE IMPACT RATING: Large Missile Impact Resistant

LABELING: Each unit shall bear a permanent label with the manufacturer's name or logo, city, state and following statement: "Miami-Dade County Product Control Approved", unless otherwise noted herein.

RENEWAL of this NOA shall be considered after a renewal application has been filed and there has been no change in the applicable building code negatively affecting the performance of this product.

TERMINATION of this NOA will occur after the expiration date or if there has been a revision or change in the materials, use, and/or manufacture of the product or process. Misuse of this NOA as an endorsement of any product, for sales, advertising or any other purposes shall automatically terminate this NOA. Failure to comply with any section of this NOA shall be cause for termination and removal of NOA.

ADVERTISEMENT: The NOA number preceded by the words Miami-Dade County, Florida, and followed by the expiration date may be displayed in advertising literature. If any portion of the NOA is displayed, then it shall be done in its entirety.

INSPECTION: A copy of this entire NOA shall be provided to the user by the manufacturer or its distributors and shall be available for inspection at the job site at the request of the Building Official.

This NOA consists of this page 1 and evidence pages E-1, as well as approval document mentioned above. The submitted documentation was reviewed by **Carlos M. Utrera, P.E.**



[Handwritten Signature]
07/06/09

NOA No. 09-0326.05
Expiration Date: July 29, 2014
Approval Date: July 29, 2009

Sto Corporation

NOTICE OF ACCEPTANCE: EVIDENCE SUBMITTED

A. DRAWINGS

1. Drawing No. **DG-ST01**, titled "Sto Therm EIFS DG-1", sheets 1 through 3 of 3, prepared by Sto Corporation, dated 01/27/09, signed and sealed by Christopher B. Shiver, P.E.

B. TESTS

1. Test reports on
 - 1) Air Infiltration Test, per FBC, TAS 202-94
 - 2) Uniform Static Air Pressure Test, Loading per FBC TAS 202-94
 - 3) Water Resistance Test, per FBC, TAS 202-94
 - 4) Large Missile Impact Test per FBC, TAS 201-94
 - 5) Cyclic Wind Pressure Loading per FBC, TAS 203-94along with marked-up drawings and installation diagram of their EIFS Panels, prepared by Hurricane Test Laboratory, LLC, Test Report No. **G064-1106-08**, dated 02/12/09, signed and sealed by Vinu J. Abraham, P.E.

C. CALCULATIONS

1. None.

D. QUALITY ASSURANCE

1. Miami Dade Building Code Compliance Office (BCCO).

E. MATERIAL CERTIFICATIONS

1. None.

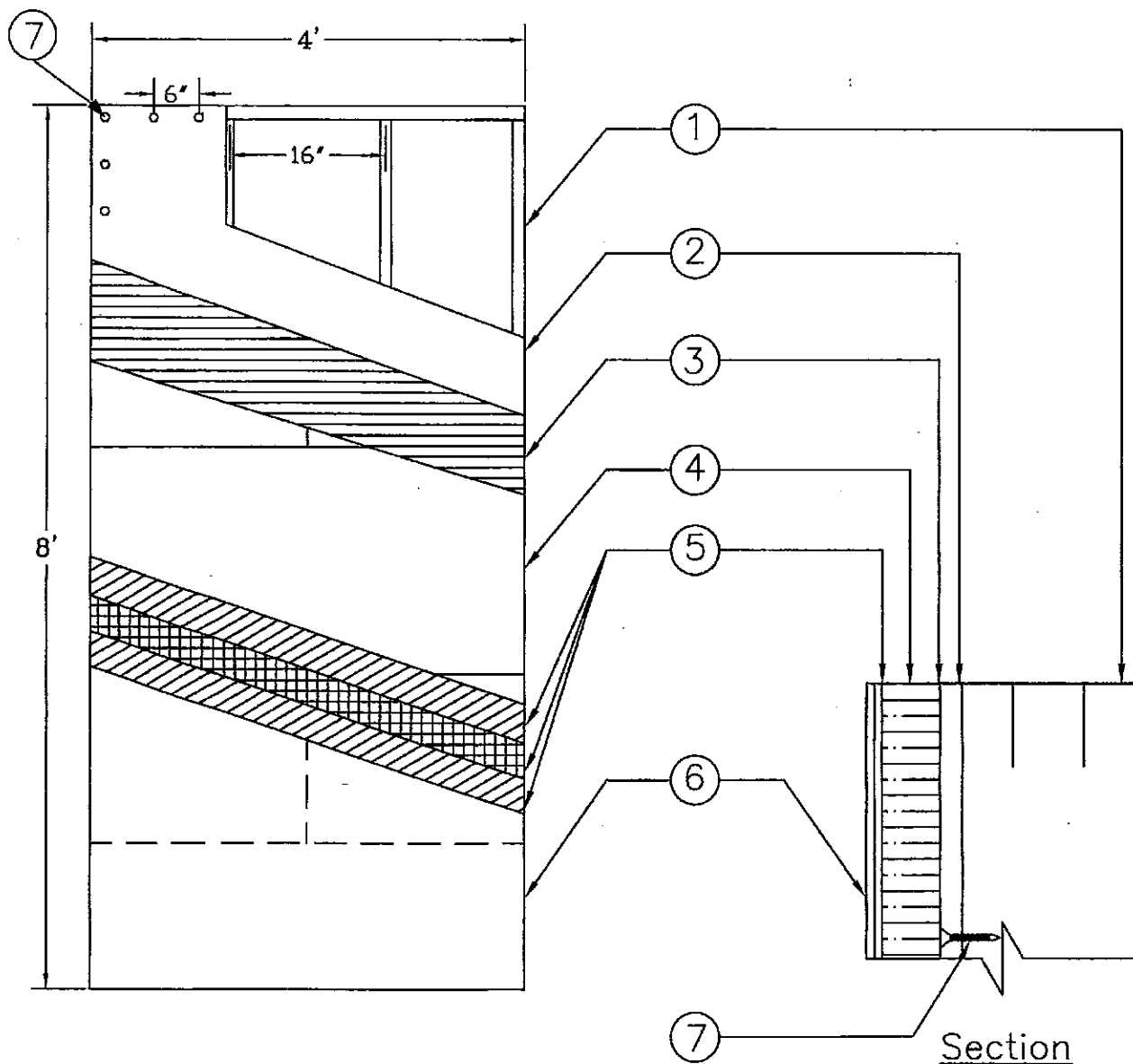
F. STATEMENTS

1. Code compliance and no financial interest letter issued by Cerny & Ivey Engineers, Inc., dated 03/12/09, signed and sealed by Christopher B. Shiver, P.E.



07/06/09

Carlos M. Utrera, P.E.
Product Control Examiner
NOA No. 09-0326.05
Expiration Date: July 29, 2014
Approval Date: July 29, 2009



Section

KEY:

- ① 3 5/8" Steel Studs and track (18 ga) @ 16" O.C.
- ② 5/8" Dens Glass Gold Gypsum Sheathing.
- ③ Sto 20 oz Armor Mat xx embedded in PAB Adhesive
- ④ EPS Board @ 1" thick
- ⑤ Sto PAB with Sto 920 E 4.6 oz Mesh Embedded
- ⑥ Sto Finish
- ⑦ 1-1/4" Wafer Head Screws @ 6" o.c. in field and at perimeter of sheathing.

Design Pressure Rating +/- 80psf
Large Missile Impact Resistance

Description:

1.1 Substrates and Sto products approved with the system

- 1.1.1 Dens Glass Gold sheathing over steel studs. 3 5/8" x 1- 5/8" x18 ga. Steel studs @ 16" o.c with 5/8" Dens Glass Gold sheathing fastened to the steel studs with 1- 1/4 corrosion resistant wafer head screws @ 6" o.c. around the perimeter and the intermediate studs.
- 1.1.2 All substrate approved under this Notice of Acceptance shall be designed by a Florida Professional Engineer or Registered Architect according to the 2004/2007 Florida Building Code and the minimum standards established here. Provisions for diaphragm action are necessary for gypsum wall substrate and the deflection shall be limited to L/240 on all cases.

1.2 Components of the System

- 1.2.1 Sto PAB Adhesive
A polymer cement based adhesive and base coat available in 60 lb bags, mixed with clean water and applied to the substrate per the manufacturer's recommendation to form a 1/16" coat with a spray equipment or a stainless steel trowel.
- 1.2.2 Armor Mat and Insulation Board
Apply Sto PAB adhesive with a stainless steel trowel to 1/16" over Dens-Glass Gold and embed Sto Armor Mat. into wet base coat and allow to dry. Dyplast 1" thick EPS in compliance with ASTM C 578 type 1 1lb cu ft density as approved under Notice of Acceptance #08-1011.05. Sto PAB is applied uniformly in ribbons parallel to the long dimension to the back of the 1" thick Dyplast boards using a 1/2" x 1/2" stainless steel U notched trowel. The boards shall be placed, applying pressure in a running bond pattern with the long dimension horizontal and from a level base starting line. Butt all joints tightly to avoid thermal breaks. Adhesive should not get between joints. After the insulation boards cover the entire surface, fill voids with slivers of insulation. When the boards are firmly adhered to the substrate, rasp all irregularities to achieve a smooth surface. This application shall be to dry completely before the next step.
- 1.2.3 Sto Mesh
A nominal 4.6 oz./sq. symmetrical, interlaced open-weave glass fabric made with minimum 25% by weight alkaline resistance coating for compatibility with Sto materials. Available in rolls 38" wide. Sto PAB is mixed again and applied by trowel to a uniform thickness of 1/16" to the face of the Dyplast boards. Work horizontally or vertically in strips of 40" and immediately imbed the mesh into the wet base trowling from the center to the edge of the mesh. Overlap the mesh no less than 2-1/2", double lap all inside and outside corners 2-1/2" in all directions and backwrap mesh edges and sides. The mesh shall be fully embedded so the color does not show through the base coat and it shall be allowed to dry for 12 hours before applying the StoIt finish.
- 1.2.4 Sto Finish
A ready mix, acrylic based, textured wall coating. Sto finish is mixed with a high speed electronic mixer and applied and textured by trowel to a thickness of 1/16". Apply on a continuous application working from the wet toward the unfinished area.

General Notes:

- 1) This system has been designed in accordance with the 2004/2007 Florida Building Code supplements.
- 2) This system has been tested in accordance with Dade County Protocol TAS 201, TAS-202, and TAS 203 Large Missile Impact Structural and Cyclic Testing.
- 3) This system shall be applied by a licensed plastering contractor following the recommendations of Sto Corp. This notice of acceptance and the applicable sections of the 2004/2007 Florida Building Code.
- 4) The Engineer and/or Architect of record for each project using this system shall size all stud framing to ensure conformance with stud deflection and stress limitations as required by governing codes and this document.
- 5) Insulation boards shall be placed in a running bond pattern.
- 6) All studs used with this system shall be completely sheathed at the interior flange or bridged at maximum every 5 ft. of stud length or as specified by stud manufacturer.
- 7) All steel studs shall be structural with 1-5/8" min. flange width and have minimum yield strength of 33000 PSI.
- 8) Details on pages 2/3 of 3 are typical and show intent to prevent water infiltration in to and behind the system. Alternate details and specific conditions not covered by the typical details are the responsibility of the licensed design professional in consultation with Sto Corp.

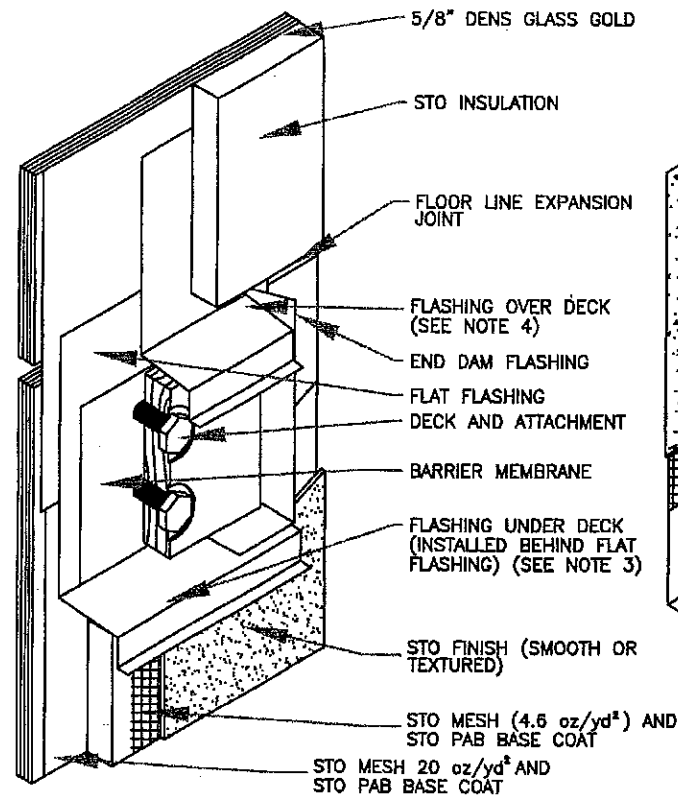
Approved as complying with the
Florida Building Code
Date 07/29/2009
NOA# 07-0326-05
Miami Dade Product Control
Division
By [Signature]

[Signature]

STO CORP.
3800 Camp Creek Pky
Bldg 1400 Suite 120
Atlanta GA 30331
for
Sto Therm EIFS DG-1

Large Missile
Impact Resistance
Drawing No. DG-STO1
Page No 1 of 3 Date 1-27-09
Not To Scale

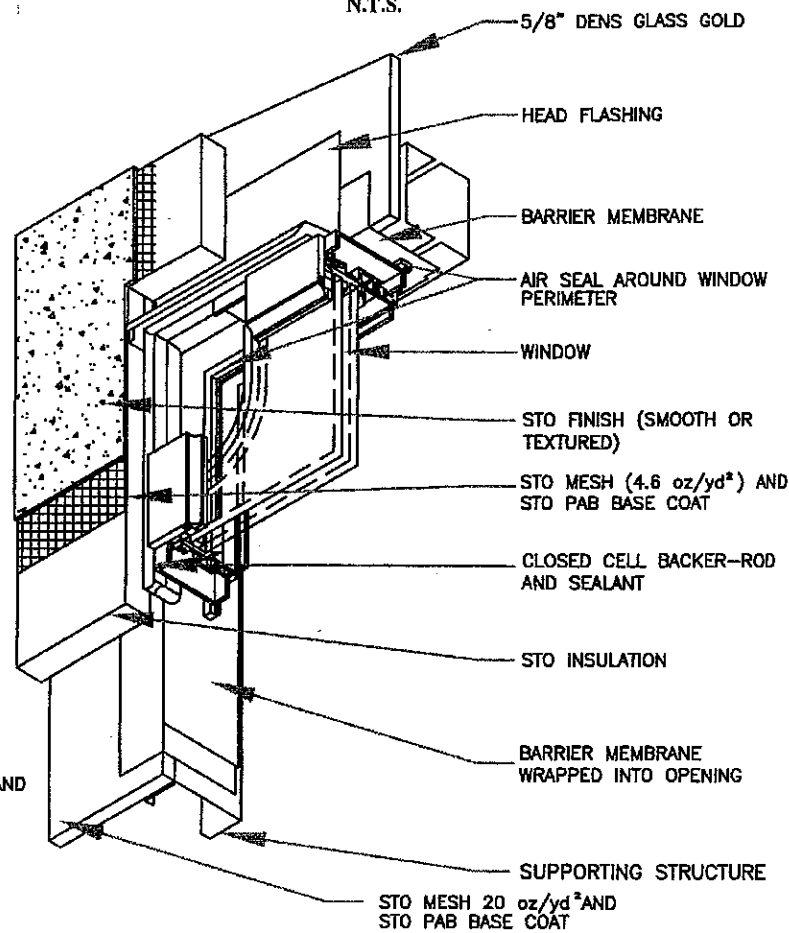
TERMINATION AT DECK
N.T.S.



Notes:

1. The deck attachment method is independent of the cladding. Care must be taken to prevent water penetration into the wall assembly via the attachment mechanism.
2. Provide flat metal flashing on the surface of the wall where the deck is to be attached so that the finished stucco will overlap it a minimum 4" (100mm).
3. Slide a folded flashing up under the first flat flashing and position below the planned position of deck.
4. Provide a folded flashing over the planned deck position to direct water away from the deck connections.
5. Provide flashing and dams on each side of the second folded flashing. Set the end dams in sealant.
6. Provide barrier membrane over the flashing so it will be positioned behind the deck ledger.
7. Terminate the Sto EIFS a minimum of 2" (50mm) above the deck and 3/8" (10mm) from the perimeter of the flashing.

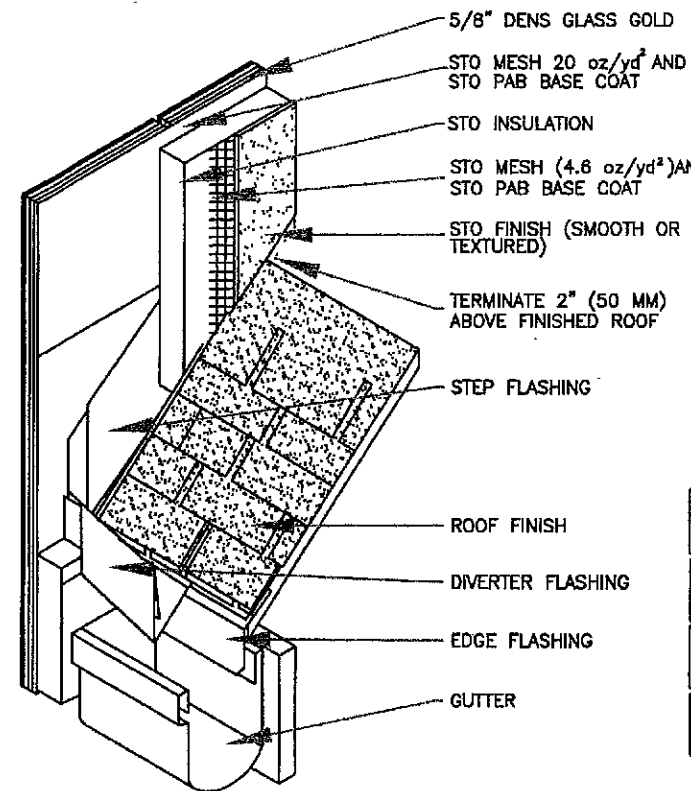
WINDOW JAMB
N.T.S.



Notes:

1. Provide flashing installed over the window to direct water away from the window. Verify requirements for head flashing with local codes and window manufacturer. If not required, seal between window and EIFS.
2. Protect rough opening against water penetration by wrapping with a barrier membrane.
3. Provide continuous air barrier connection around perimeter of the window to reduce leaking, condensation related to air movement and sound and insect intrusion.
4. Provide window insert to optimize sealant configuration.

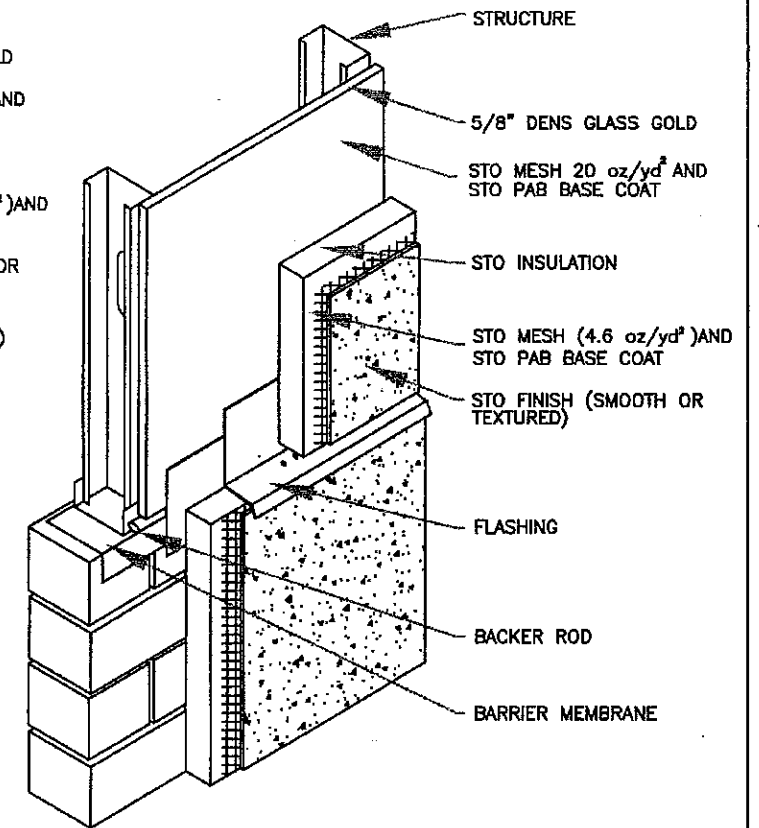
OVERHANG
N.T.S.



Notes:

1. Provide continuous roof flashing (as required by a design professional) to divert water from entering into wall system.
2. Seal Sto System termination to the diverter flashing to prevent water from penetrating system.

CONSTRUCTION JOINT
N.T.S.



Notes:

1. Provide a drained joint at the interface of frame and masonry substrates.

Approved as complying with the
Florida Building Code
Date 07/29/2009
NOA# 09-10326.05
Miami Date Product Control
Division
By *[Signature]*

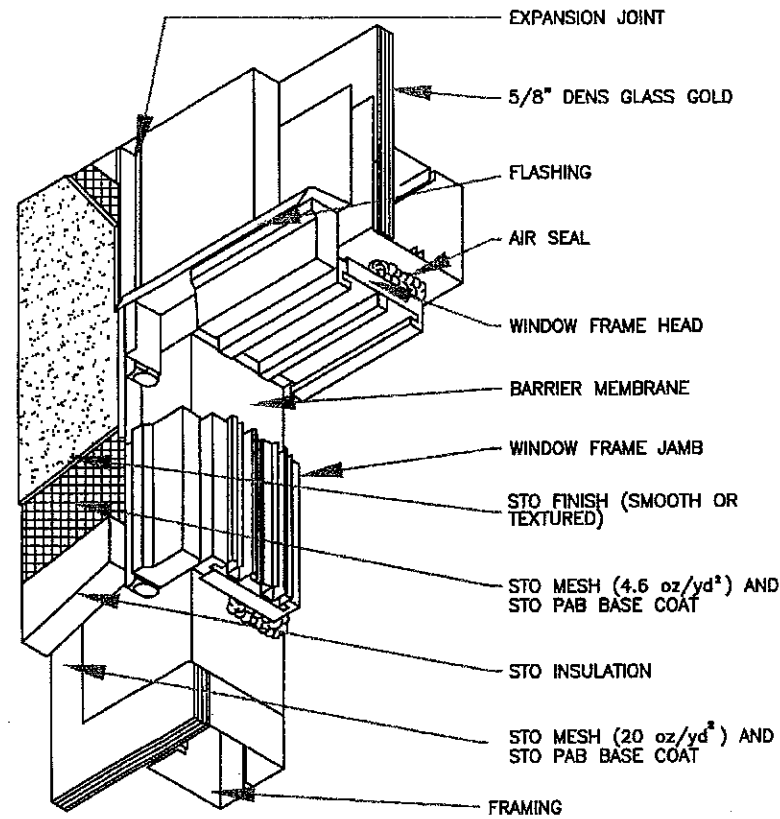
[Signature]

STO CORP.
3800 Camp Creek Pky
Bldg 1400 Suite 120
Atlanta GA 30331
for
Sto Therm EIFS DG-1

Large Missile
Impact Resistance
Drawing No. DG-ST01
Page No 2 of 3 Date 1-27-09
Not To Scale

WINDOW HEAD

N.T.S.

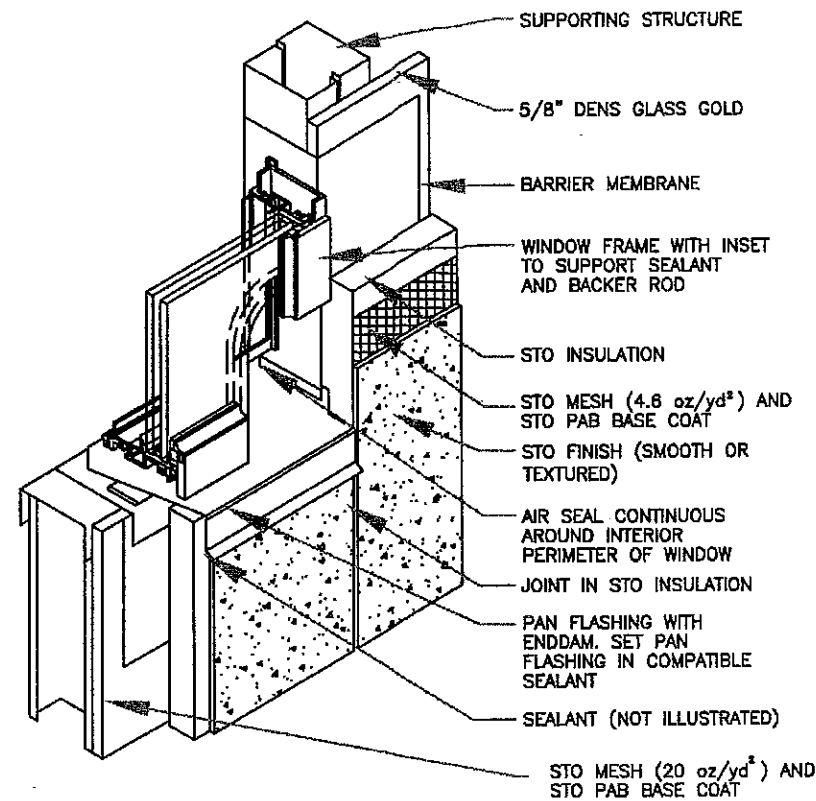


Notes:

1. Protect the rough opening from water penetration by wrapping with a barrier membrane. Direct any water penetration to the exterior at or above the sill flashing.
2. Provide head flashing over the window to direct water away from the window. Fold flashing over the window head-jamb interface.

WINDOW SILL

N.T.S.

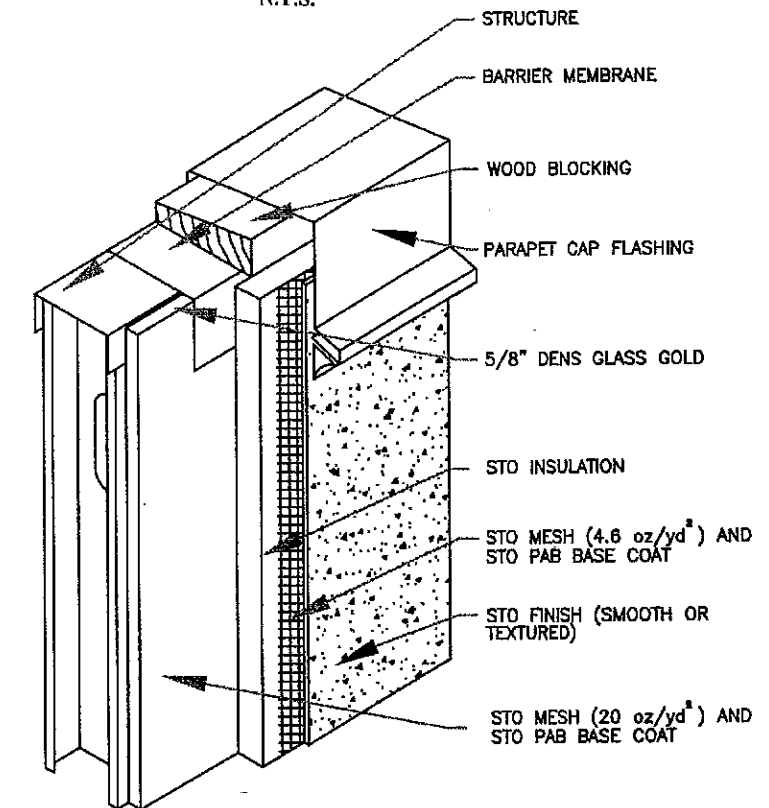


Notes:

1. Protect exposed STO EIFS at sill from weather damage during construction until permanently protected with sill and sealant.
2. Pan flashing @ jamb.

PARPET

N.T.S.



Notes:

1. Protect exposed STO EIFS at parapet from weather damage during construction until permanently protected with capping.
2. Extend dimension of capping overlap for multi-story construction/coastal regions to prevent wind driven rain from entering behind system.

Approved as complying with the
Florida Building Code
Date 07/23/2009
NOA# 07-0326-05
Miami Dade Product Control
Division
By *[Signature]*

[Signature]

STO CORP.
3800 Camp Creek Pky
Bldg 1400 Suite 120
Atlanta GA 30331
for
Sto Therm EIFS DG-1

Large Missile
Impact Resistance
Drawing No. DG-STO1
Page No 3 of 3 Date 1-27-09
Not To Scale