

StoTherm Panelized with StoGuard 50.XX Series Detail Drawings - Index

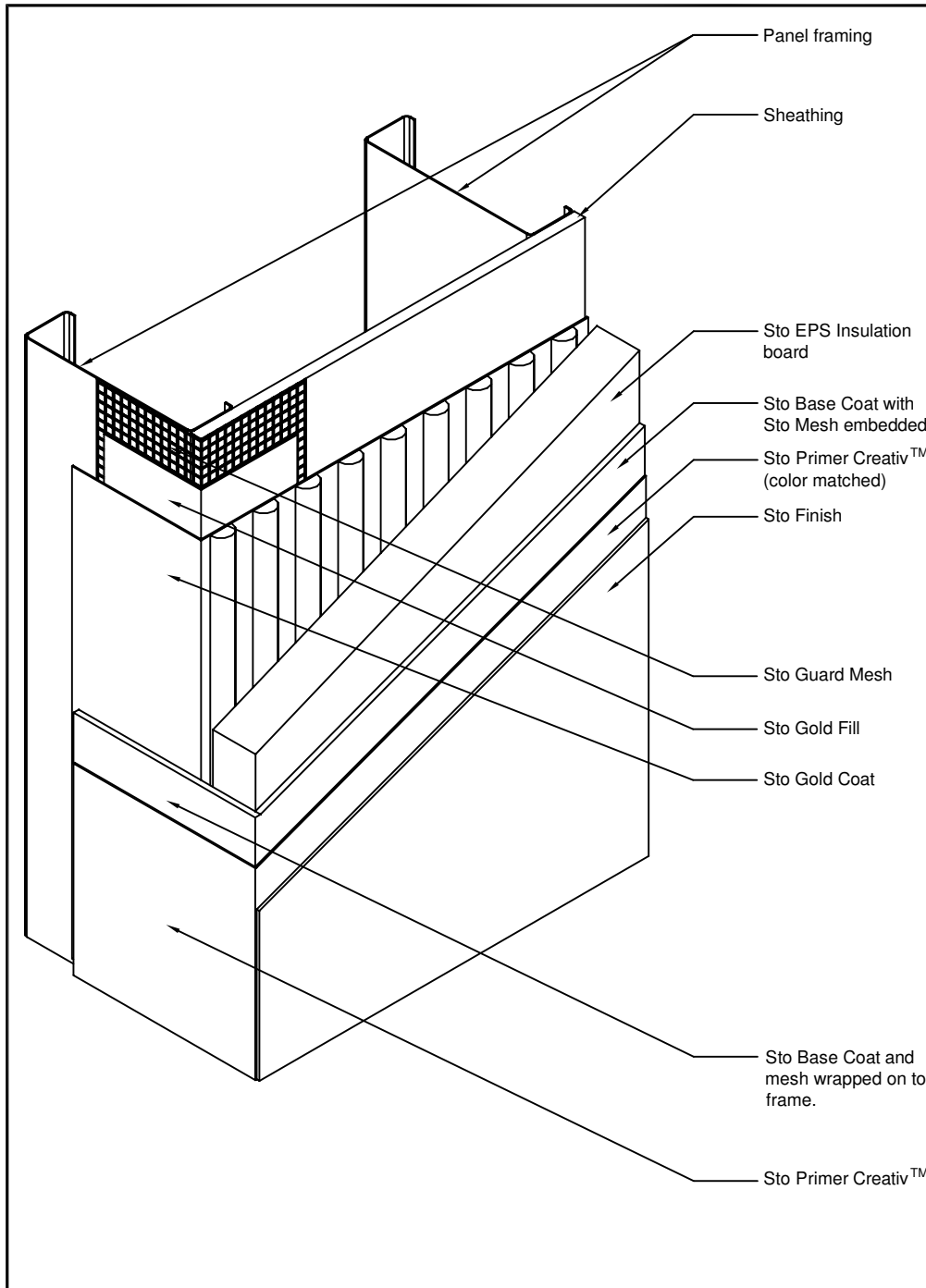
50.01G	Edge Wrap Panel Termination
50.02G	Rough Opening Termination
50.03G	Horizontal Panel Joint
50.04G	Vertical Panel Joint
50.04aG	Vertical Panel Joint Pressure Equalized with Weeps
50.05G	Termination at Foundation
50.06aG	Window Jamb and Sill
50.06bG	Window Jamb and Sill with Double Sealant Joint
50.07G	Window Head with Soffit
50.08G	Window Head
50.09G	Utility Penetration



StoTherm[®] Panelized with StoGuard[®] Waterproof Air Barrier Edge Wrap Panel Termination

Detail No: 50.01G

Date: March 2010



Notes:

- 1) Install StoTherm[®] system in accordance with standard Sto specifications.
- 2) Wrap StoGuard[®] Mesh, Sto Gold Fill[®] and Sto Gold Coat[®] onto framing at sheathing terminations minimum 2-1/2 inches (63.5mm).
- 3) In lieu of backwrapping, wrap base coat, mesh and Sto Primer Creativ[™] onto panel framing at panel edges minimum 2-1/2 inches (63.5 mm).
- 4) Do not apply finish on surfaces where sealant will be installed.
- 5) Provide exterior weather seal and interior air seal at panel and penetration terminations.
- 6) Important: Components not identified as Sto are furnished by other manufacturers and are not necessarily installed by trades who install Sto products. Refer to project specific contract documents.

ATTENTION

Sto products are intended for use by qualified professional contractors, not consumers, as a component of a larger construction assembly as specified by a qualified design professional, general contractor or builder. They should be installed in accordance with those specifications and Sto's instructions. Sto Corp. disclaims all, and assumes no, liability for on-site inspections, for its products applied improperly, or by unqualified persons or entities, or as part of an improperly designed or constructed building, for the nonperformance of adjacent building components or assemblies, or for other construction activities beyond Sto's control. Improper use of Sto products or use as part of an improperly designed or constructed larger assembly or building may result in serious damage to Sto products, and to the structure of the building or its components. STO CORP. DISCLAIMS ALL WARRANTIES EXPRESSED OR IMPLIED EXCEPT FOR EXPLICIT LIMITED WRITTEN WARRANTIES ISSUED TO AND ACCEPTED BY BUILDING OWNERS IN ACCORDANCE WITH STO'S WARRANTY PROGRAMS WHICH ARE SUBJECT TO CHANGE FROM TIME TO TIME. For the fullest, most current information on proper application, clean-up, mixing and other specifications and warranties, cautions and disclaimers, please refer to the Sto Corp. website, www.stocorp.com.

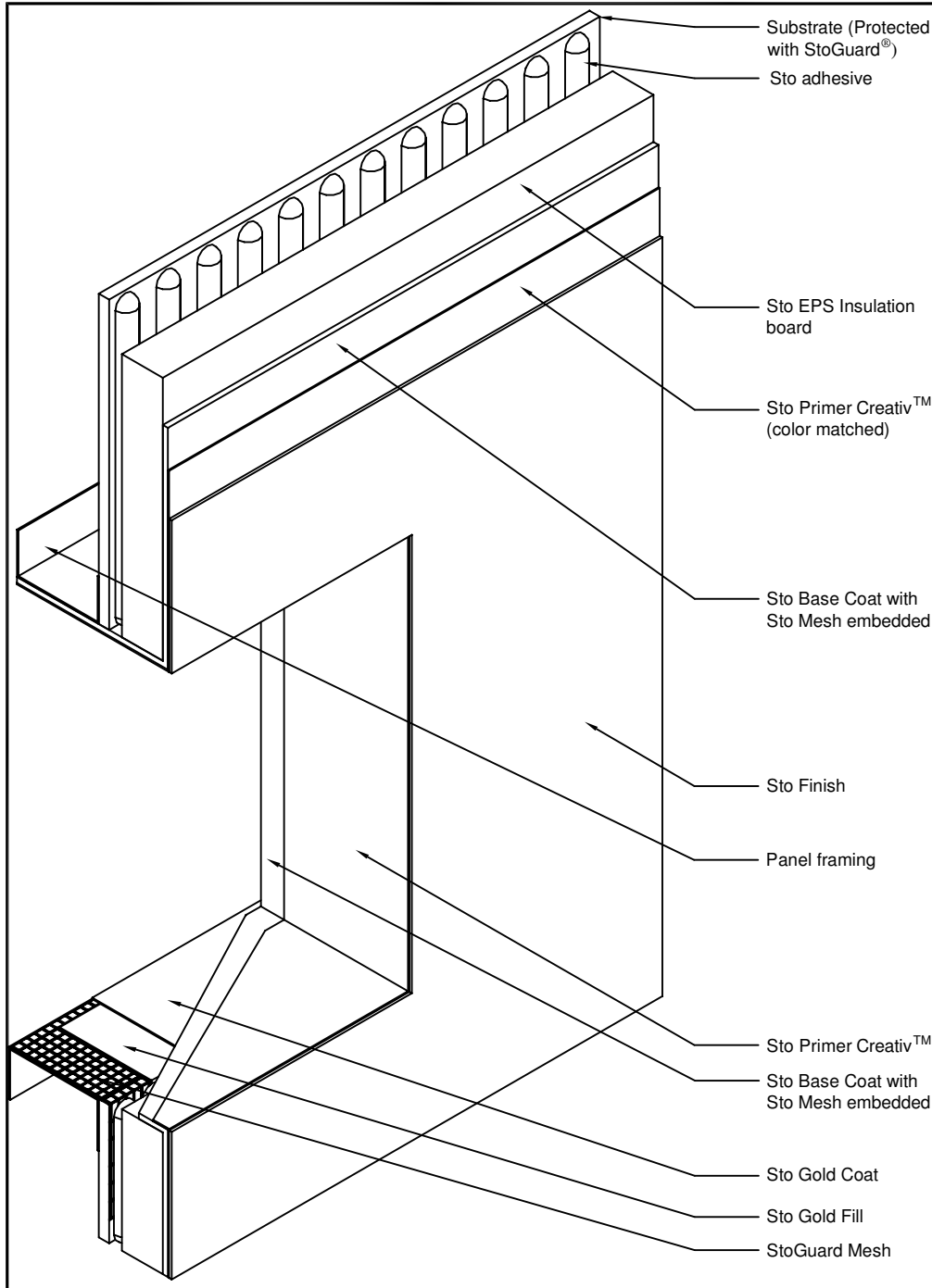
www.stocorp.com



StoTherm® Panelized with StoGuard® Waterproof Air Barrier Rough Opening Termination

Detail No: 50.02G

Date: March 2010



Notes:

- 1) Install StoTherm® system in accordance with standard Sto specifications.
- 2) Wrap StoGuard® Mesh, Sto Gold Fill® and Sto Gold Coat® onto framing at sheathing terminations minimum 2-1/2 inches (63.5mm).
- 3) In lieu of backwrapping, wrap base coat, mesh and Sto Primer Creativ™ onto panel framing at panel edges minimum 2-1/2 inches (63.5 mm).
- 4) Do not apply finish on surfaces where sealant will be installed.
- 5) Provide exterior weather seal and interior air seal at panel and penetration terminations.
- 6) Important: Components not identified as Sto are furnished by other manufacturers and are not necessarily installed by trades who install Sto products. Refer to project specific contract documents.

ATTENTION

Sto products are intended for use by qualified professional contractors, not consumers, as a component of a larger construction assembly as specified by a qualified design professional, general contractor or builder. They should be installed in accordance with those specifications and Sto's instructions. Sto Corp. disclaims all, and assumes no, liability for on-site inspections, for its products applied improperly, or by unqualified persons or entities, or as part of an improperly designed or constructed building, for the nonperformance of adjacent building components or assemblies, or for other construction activities beyond Sto's control. Improper use of Sto products or use as part of an improperly designed or constructed larger assembly or building may result in serious damage to Sto products, and to the structure of the building or its components. STO CORP. DISCLAIMS ALL WARRANTIES EXPRESSED OR IMPLIED EXCEPT FOR EXPLICIT LIMITED WRITTEN WARRANTIES ISSUED TO AND ACCEPTED BY BUILDING OWNERS IN ACCORDANCE WITH STO'S WARRANTY PROGRAMS WHICH ARE SUBJECT TO CHANGE FROM TIME TO TIME. For the fullest, most current information on proper application, clean-up, mixing and other specifications and warranties, cautions and disclaimers, please refer to the Sto Corp. website, www.stocorp.com.

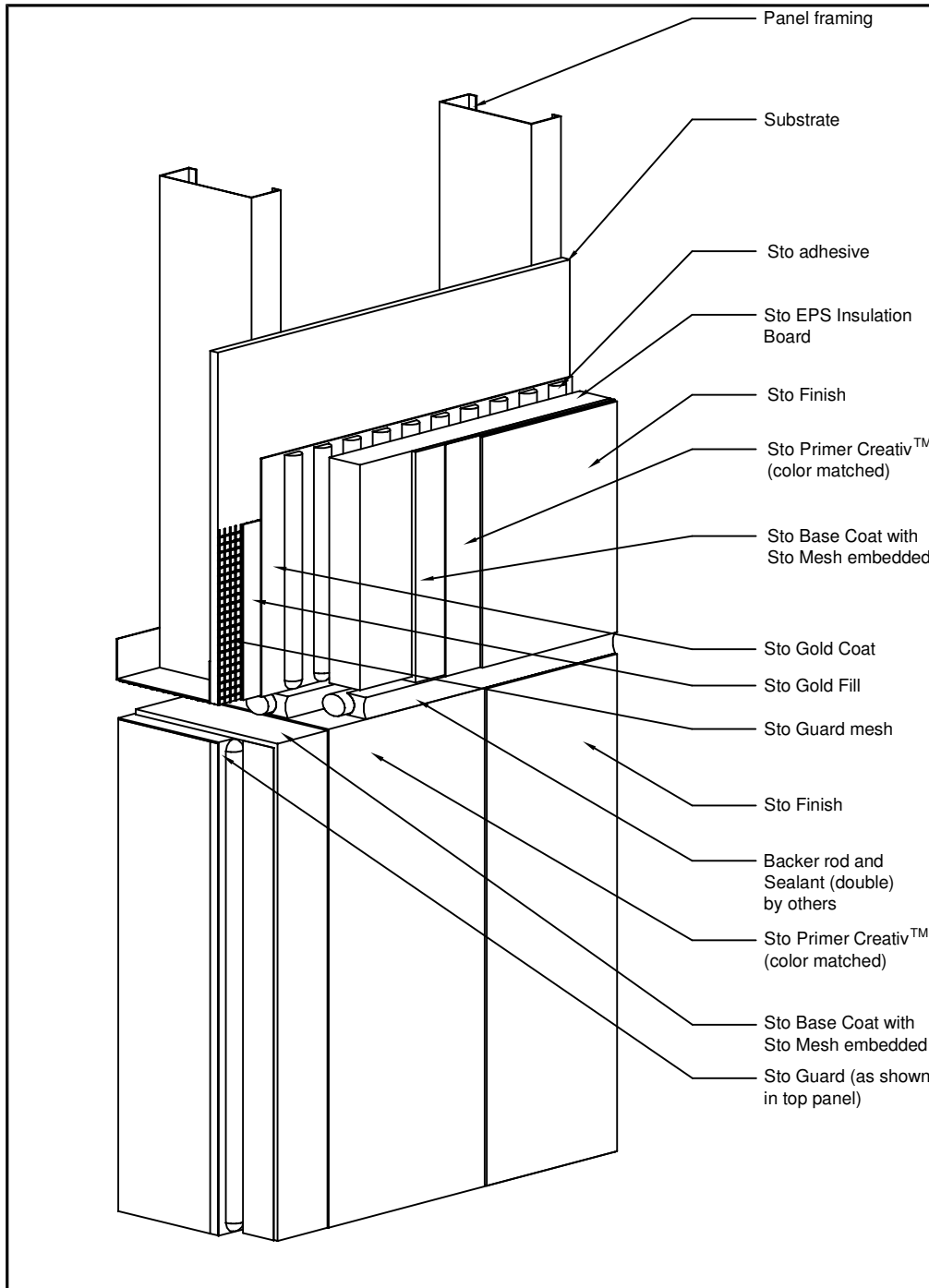
www.stocorp.com



**StoTherm® Panelized with StoGuard®
Waterproof Air Barrier
Horizontal Panel Joint**

Detail No: 50.03G

Date: March 2010



Notes:

- 1) Install StoTherm® system in accordance with standard Sto specifications.
- 2) Wrap StoGuard® Mesh, Sto Gold Fill® and Sto Gold Coat® onto framing at sheathing terminations minimum 2-1/2 inches (63.5mm).
- 3) In lieu of backwrapping, wrap base coat, mesh and Sto Primer Creativ™ onto panel framing at panel edges minimum 2-1/2 inches (63.5 mm).
- 4) Do not apply finish on surfaces where sealant will be installed.
- 5) Provide exterior weather seal and interior air seal at panel and penetration terminations.
- 6) Important: Components not identified as Sto are furnished by other manufacturers and are not necessarily installed by trades who install Sto products. Refer to project specific contract documents.

ATTENTION

Sto products are intended for use by qualified professional contractors, not consumers, as a component of a larger construction assembly as specified by a qualified design professional, general contractor or builder. They should be installed in accordance with those specifications and Sto's instructions. Sto Corp. disclaims all, and assumes no, liability for on-site inspections, for its products applied improperly, or by unqualified persons or entities, or as part of an improperly designed or constructed building, for the nonperformance of adjacent building components or assemblies, or for other construction activities beyond Sto's control. Improper use of Sto products or use as part of an improperly designed or constructed larger assembly or building may result in serious damage to Sto products, and to the structure of the building or its components. STO CORP. DISCLAIMS ALL WARRANTIES EXPRESSED OR IMPLIED EXCEPT FOR EXPLICIT LIMITED WRITTEN WARRANTIES ISSUED TO AND ACCEPTED BY BUILDING OWNERS IN ACCORDANCE WITH STO'S WARRANTY PROGRAMS WHICH ARE SUBJECT TO CHANGE FROM TIME TO TIME. For the fullest, most current information on proper application, clean-up, mixing and other specifications and warranties, cautions and disclaimers, please refer to the Sto Corp. website, www.stocorp.com.

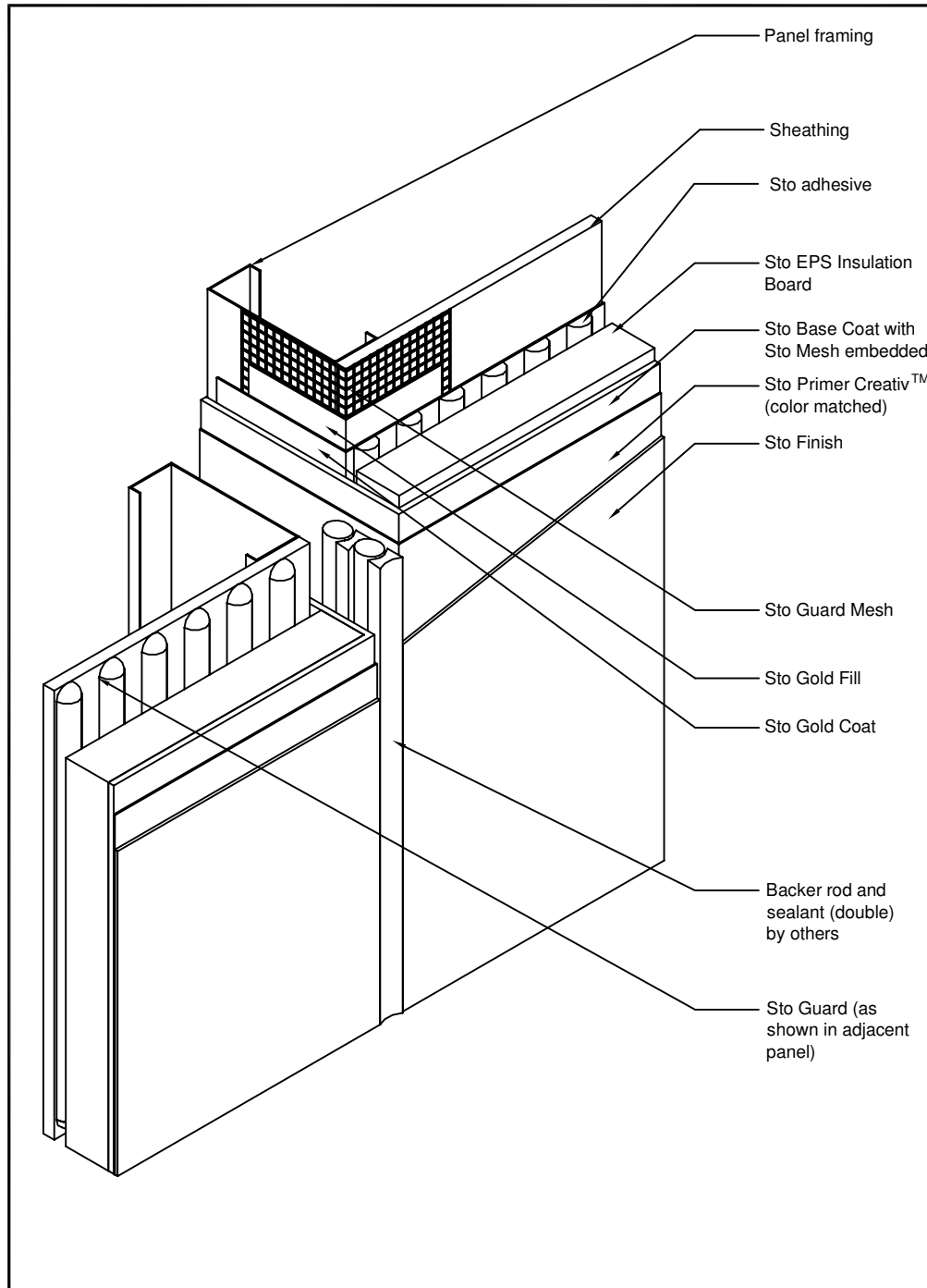
www.stocorp.com



**StoTherm[®] Panelized with StoGuard[®]
Waterproof Air Barrier
Vertical Panel Joint**

Detail No: 50.04G

Date: March 2010



Notes:

- 1) Install StoTherm[®] system in accordance with standard Sto specifications.
- 2) Wrap StoGuard[®] Mesh, Sto Gold Fill[®] and Sto Gold Coat[®] onto framing at sheathing terminations minimum 2-1/2 inches (63.5mm).
- 3) In lieu of backwrapping, wrap base coat, mesh and Sto Primer Creativ[™] onto panel framing at panel edges minimum 2-1/2 inches (63.5 mm).
- 4) Do not apply finish on surfaces where sealant will be installed.
- 5) Provide exterior weather seal and interior air seal at panel and penetration terminations.
- 6) Important: Components not identified as Sto are furnished by other manufacturers and are not necessarily installed by trades who install Sto products. Refer to project specific contract documents.

ATTENTION

Sto products are intended for use by qualified professional contractors, not consumers, as a component of a larger construction assembly as specified by a qualified design professional, general contractor or builder. They should be installed in accordance with those specifications and Sto's instructions. Sto Corp. disclaims all, and assumes no, liability for on-site inspections, for its products applied improperly, or by unqualified persons or entities, or as part of an improperly designed or constructed building, for the nonperformance of adjacent building components or assemblies, or for other construction activities beyond Sto's control. Improper use of Sto products or use as part of an improperly designed or constructed larger assembly or building may result in serious damage to Sto products, and to the structure of the building or its components. STO CORP. DISCLAIMS ALL WARRANTIES EXPRESSED OR IMPLIED EXCEPT FOR EXPLICIT LIMITED WRITTEN WARRANTIES ISSUED TO AND ACCEPTED BY BUILDING OWNERS IN ACCORDANCE WITH STO'S WARRANTY PROGRAMS WHICH ARE SUBJECT TO CHANGE FROM TIME TO TIME. For the fullest, most current information on proper application, clean-up, mixing and other specifications and warranties, cautions and disclaimers, please refer to the Sto Corp. website, www.stocorp.com.

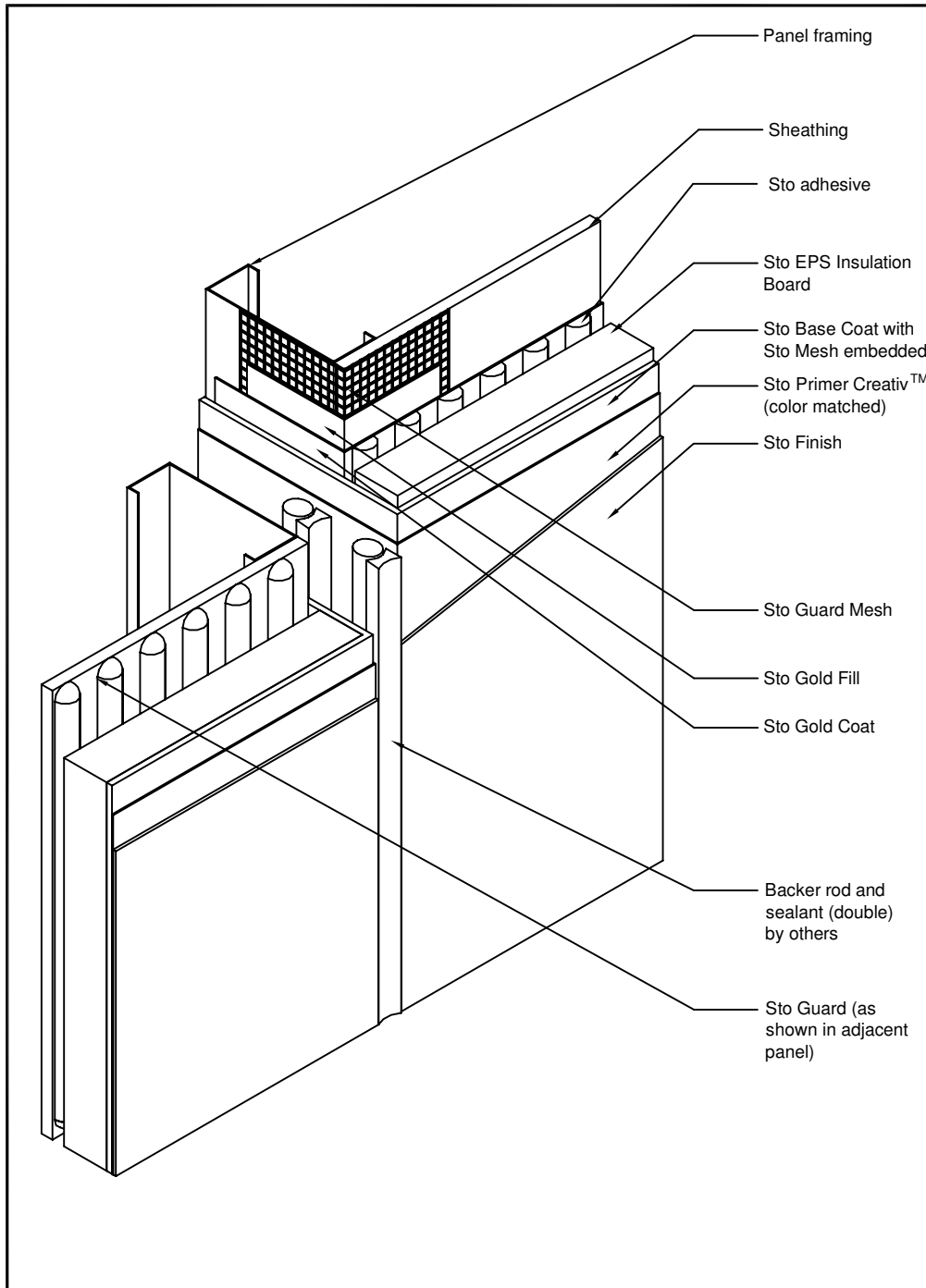
www.stocorp.com



StoTherm[®] Panelized with StoGuard[®] Waterproof Air Barrier Vertical Panel Joint Pressure Equalized with Weeps

Detail No: 50.04aG

Date: March 2010



Notes:

- 1) Install StoTherm[®] system in accordance with standard Sto specifications.
- 2) Wrap StoGuard[®] Mesh, Sto Gold Fill[®] and Sto Gold Coat[®] onto framing at sheathing terminations minimum 2-1/2 inches (63.5mm).
- 3) In lieu of backwrapping, wrap base coat, mesh and Sto Primer Creativ[™] onto panel framing at panel edges minimum 2-1/2 inches (63.5 mm).
- 4) Do not apply finish on surfaces where sealant will be installed.
- 5) Provide exterior weather seal and interior air seal at panel and penetration terminations.
- 6) Divert back seal at intervals along length of joint to weep to exterior.
- 7) Important: Components not identified as Sto are furnished by other manufacturers and are not necessarily installed by trades who install Sto products. Refer to project specific contract documents.

ATTENTION

Sto products are intended for use by qualified professional contractors, not consumers, as a component of a larger construction assembly as specified by a qualified design professional, general contractor or builder. They should be installed in accordance with those specifications and Sto's instructions. Sto Corp. disclaims all, and assumes no, liability for on-site inspections, for its products applied improperly, or by unqualified persons or entities, or as part of an improperly designed or constructed building, for the nonperformance of adjacent building components or assemblies, or for other construction activities beyond Sto's control. Improper use of Sto products or use as part of an improperly designed or constructed larger assembly or building may result in serious damage to Sto products, and to the structure of the building or its components. STO CORP. DISCLAIMS ALL WARRANTIES EXPRESSED OR IMPLIED EXCEPT FOR EXPLICIT LIMITED WRITTEN WARRANTIES ISSUED TO AND ACCEPTED BY BUILDING OWNERS IN ACCORDANCE WITH STO'S WARRANTY PROGRAMS WHICH ARE SUBJECT TO CHANGE FROM TIME TO TIME. For the fullest, most current information on proper application, clean-up, mixing and other specifications and warranties, cautions and disclaimers, please refer to the Sto Corp. website, www.stocorp.com.

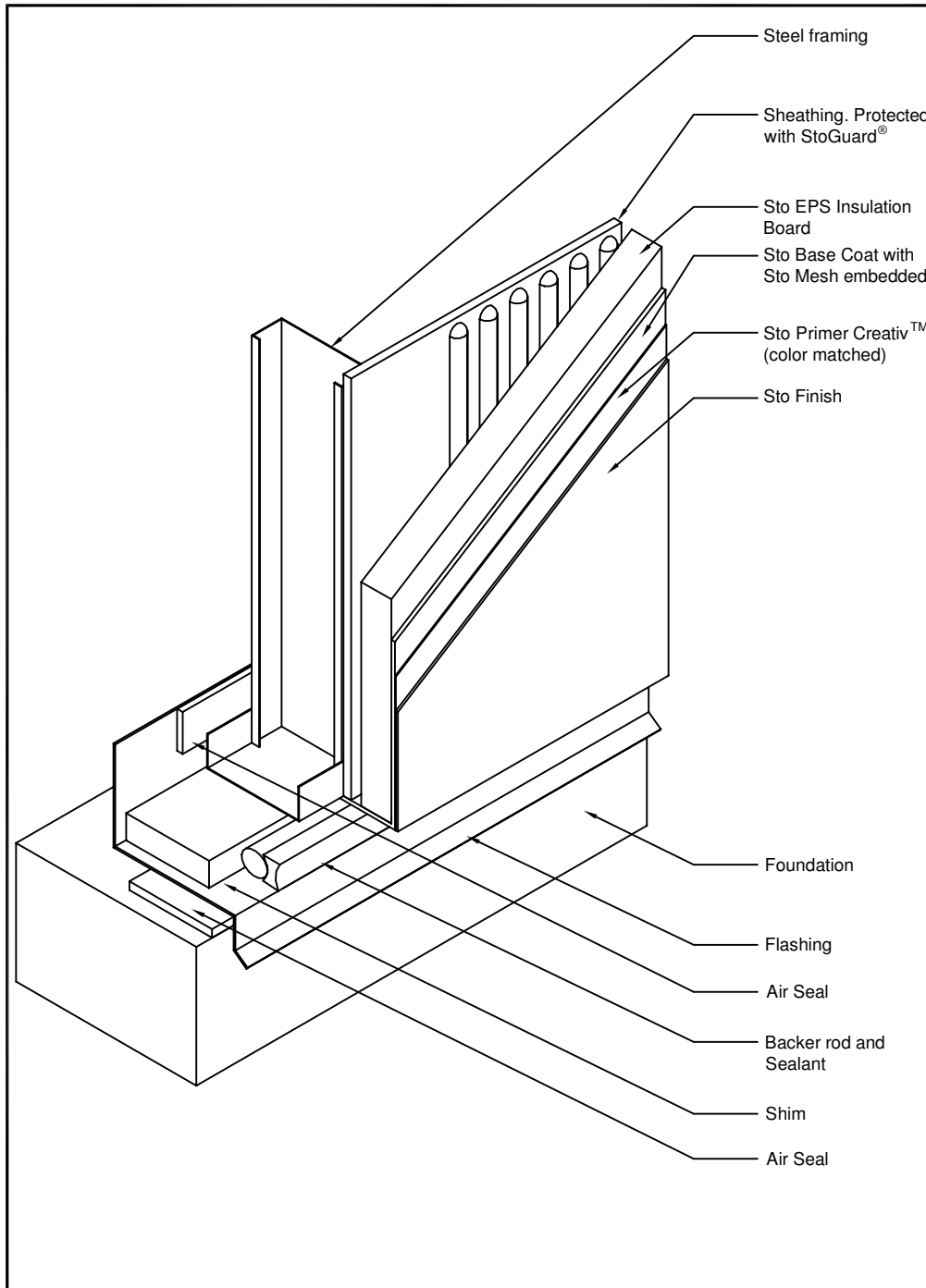
www.stocorp.com



StoTherm[®] Panelized with StoGuard[®] Waterproof Air Barrier Termination at Foundation

Detail No: 50.05G

Date: March 2010



Notes:

- 1) Install StoTherm[®] system in accordance with standard Sto specifications.
- 2) Wrap StoGuard[®] Mesh, Sto Gold Fill[®] and Sto Gold Coat[®] onto framing at sheathing terminations minimum 2-1/2 inches (63.5mm).
- 3) In lieu of backwrapping, wrap base coat, mesh and Sto Primer Creativ[™] onto panel framing at panel edges minimum 2-1/2 inches (63.5 mm).
- 4) Do not apply finish on surfaces where sealant will be installed.
- 5) Provide exterior weather seal and interior air seal at panel and penetration terminations.
- 6) Important: Components not identified as Sto are furnished by other manufacturers and are not necessarily installed by trades who install Sto products. Refer to project specific contract documents.

ATTENTION

Sto products are intended for use by qualified professional contractors, not consumers, as a component of a larger construction assembly as specified by a qualified design professional, general contractor or builder. They should be installed in accordance with those specifications and Sto's instructions. Sto Corp. disclaims all, and assumes no, liability for on-site inspections, for its products applied improperly, or by unqualified persons or entities, or as part of an improperly designed or constructed building, for the nonperformance of adjacent building components or assemblies, or for other construction activities beyond Sto's control. Improper use of Sto products or use as part of an improperly designed or constructed larger assembly or building may result in serious damage to Sto products, and to the structure of the building or its components. STO CORP. DISCLAIMS ALL WARRANTIES EXPRESSED OR IMPLIED EXCEPT FOR EXPLICIT LIMITED WRITTEN WARRANTIES ISSUED TO AND ACCEPTED BY BUILDING OWNERS IN ACCORDANCE WITH STO'S WARRANTY PROGRAMS WHICH ARE SUBJECT TO CHANGE FROM TIME TO TIME. For the fullest, most current information on proper application, clean-up, mixing and other specifications and warranties, cautions and disclaimers, please refer to the Sto Corp. website, www.stocorp.com.

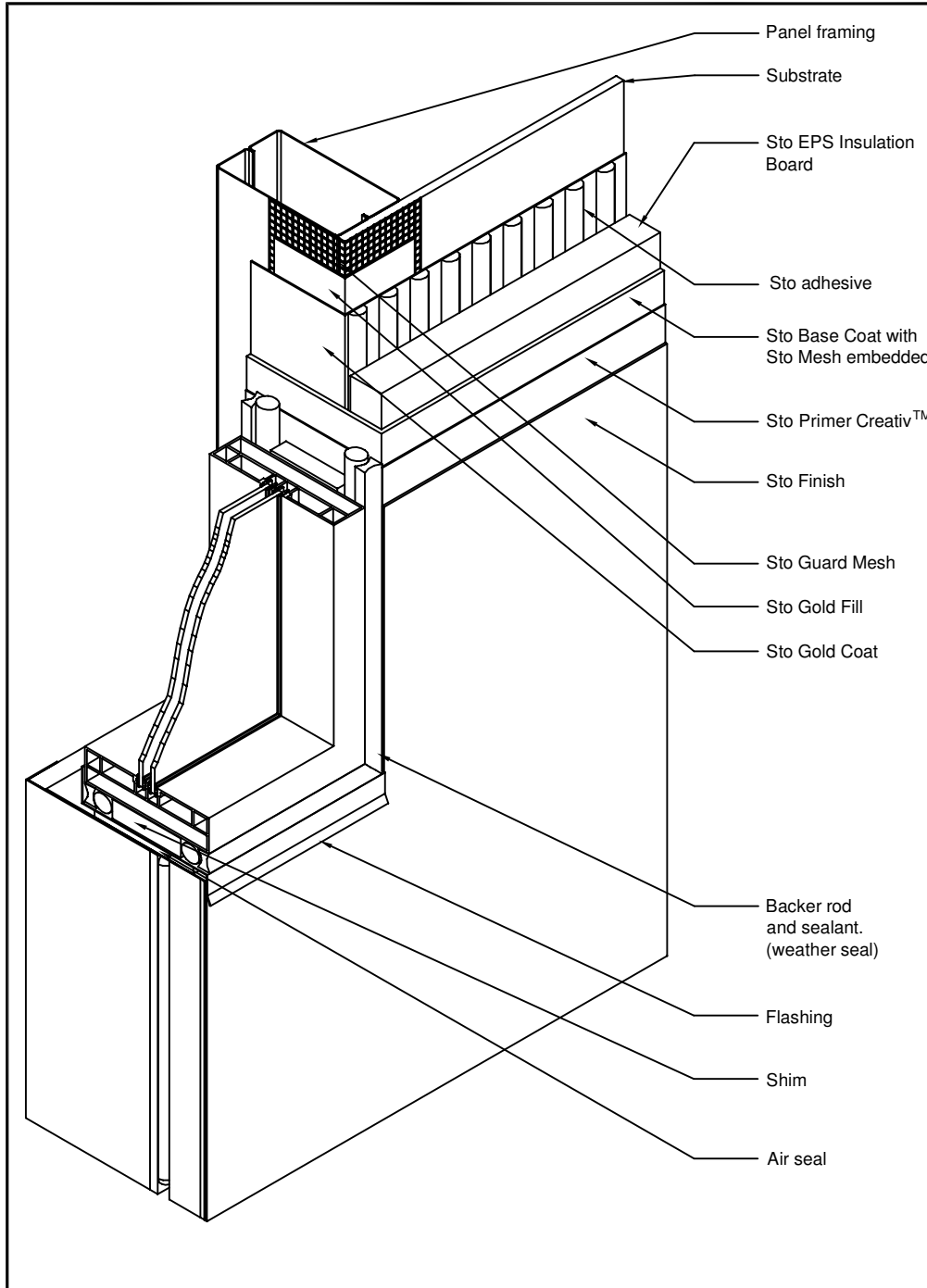
www.stocorp.com



StoTherm[®] Panelized with StoGuard[®] Waterproof Air Barrier Window Jamb and Sill

Detail No: 50.06aG

Date: March 2010



Notes:

- 1) Install StoTherm[®] system in accordance with standard Sto specifications.
- 2) Wrap StoGuard[®] Mesh, Sto Gold Fill[®] and Sto Gold Coat[®] onto framing at sheathing terminations minimum 2-1/2 inches (63.5mm).
- 3) In lieu of backwrapping, wrap base coat, mesh and Sto Primer Creativ[™] onto panel framing at panel edges minimum 2-1/2 inches (63.5 mm).
- 4) Do not apply finish on surfaces where sealant will be installed.
- 5) Provide interior air seal at panel and penetration terminations.
- 6) Important: Components not identified as Sto are furnished by other manufacturers and are not necessarily installed by trades who install Sto products. Refer to project specific contract documents.

ATTENTION

Sto products are intended for use by qualified professional contractors, not consumers, as a component of a larger construction assembly as specified by a qualified design professional, general contractor or builder. They should be installed in accordance with those specifications and Sto's instructions. Sto Corp. disclaims all, and assumes no, liability for on-site inspections, for its products applied improperly, or by unqualified persons or entities, or as part of an improperly designed or constructed building, for the nonperformance of adjacent building components or assemblies, or for other construction activities beyond Sto's control. Improper use of Sto products or use as part of an improperly designed or constructed larger assembly or building may result in serious damage to Sto products, and to the structure of the building or its components. STO CORP. DISCLAIMS ALL WARRANTIES EXPRESSED OR IMPLIED EXCEPT FOR EXPLICIT LIMITED WRITTEN WARRANTIES ISSUED TO AND ACCEPTED BY BUILDING OWNERS IN ACCORDANCE WITH STO'S WARRANTY PROGRAMS WHICH ARE SUBJECT TO CHANGE FROM TIME TO TIME. For the fullest, most current information on proper application, clean-up, mixing and other specifications and warranties, cautions and disclaimers, please refer to the Sto Corp. website, www.stocorp.com.

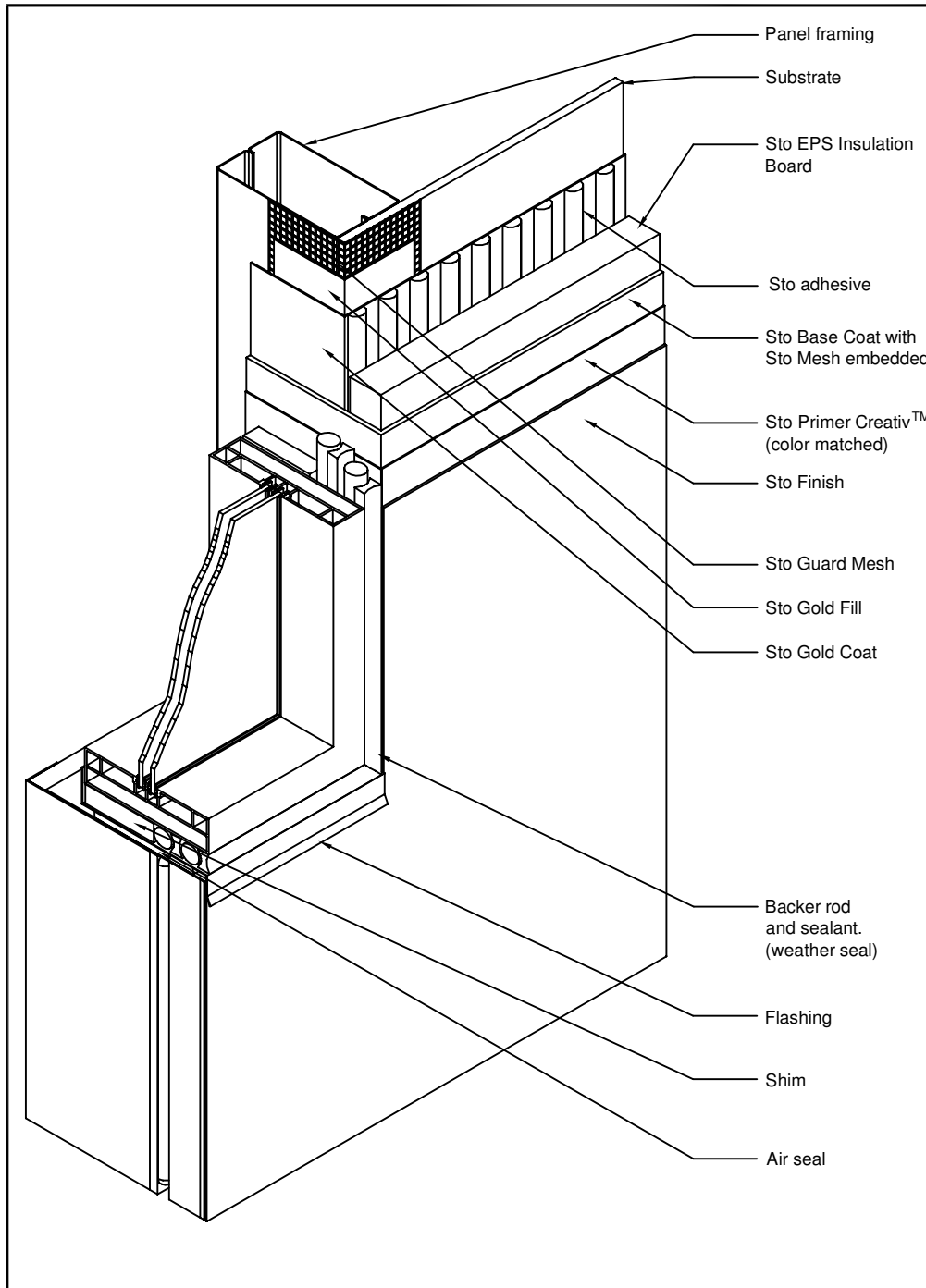
www.stocorp.com



StoTherm[®] Panelized with StoGuard[®] Waterproof Air Barrier Window Jamb and Sill with Double Sealant Joint

Detail No: 50.06bG

Date: March 2010



Notes:

- 1) Install StoTherm[®] system in accordance with standard Sto specifications.
- 2) Wrap StoGuard[®] Mesh, Sto Gold Fill[®] and Sto Gold Coat[®] onto framing at sheathing terminations minimum 2-1/2 inches (63.5mm).
- 3) In lieu of backwrapping, wrap base coat, mesh and Sto Primer Creativ[™] onto panel framing at panel edges minimum 2-1/2 inches (63.5 mm).
- 4) Do not apply finish on surfaces where sealant will be installed.
- 5) Provide exterior weather seal and interior air seal at panel and penetration terminations.
- 6) Important: Components not identified as Sto are furnished by other manufacturers and are not necessarily installed by trades who install Sto products. Refer to project specific contract documents.

ATTENTION

Sto products are intended for use by qualified professional contractors, not consumers, as a component of a larger construction assembly as specified by a qualified design professional, general contractor or builder. They should be installed in accordance with those specifications and Sto's instructions. Sto Corp. disclaims all, and assumes no, liability for on-site inspections, for its products applied improperly, or by unqualified persons or entities, or as part of an improperly designed or constructed building, for the nonperformance of adjacent building components or assemblies, or for other construction activities beyond Sto's control. Improper use of Sto products or use as part of an improperly designed or constructed larger assembly or building may result in serious damage to Sto products, and to the structure of the building or its components. STO CORP. DISCLAIMS ALL WARRANTIES EXPRESSED OR IMPLIED EXCEPT FOR EXPLICIT LIMITED WRITTEN WARRANTIES ISSUED TO AND ACCEPTED BY BUILDING OWNERS IN ACCORDANCE WITH STO'S WARRANTY PROGRAMS WHICH ARE SUBJECT TO CHANGE FROM TIME TO TIME. For the fullest, most current information on proper application, clean-up, mixing and other specifications and warranties, cautions and disclaimers, please refer to the Sto Corp. website, www.stocorp.com.

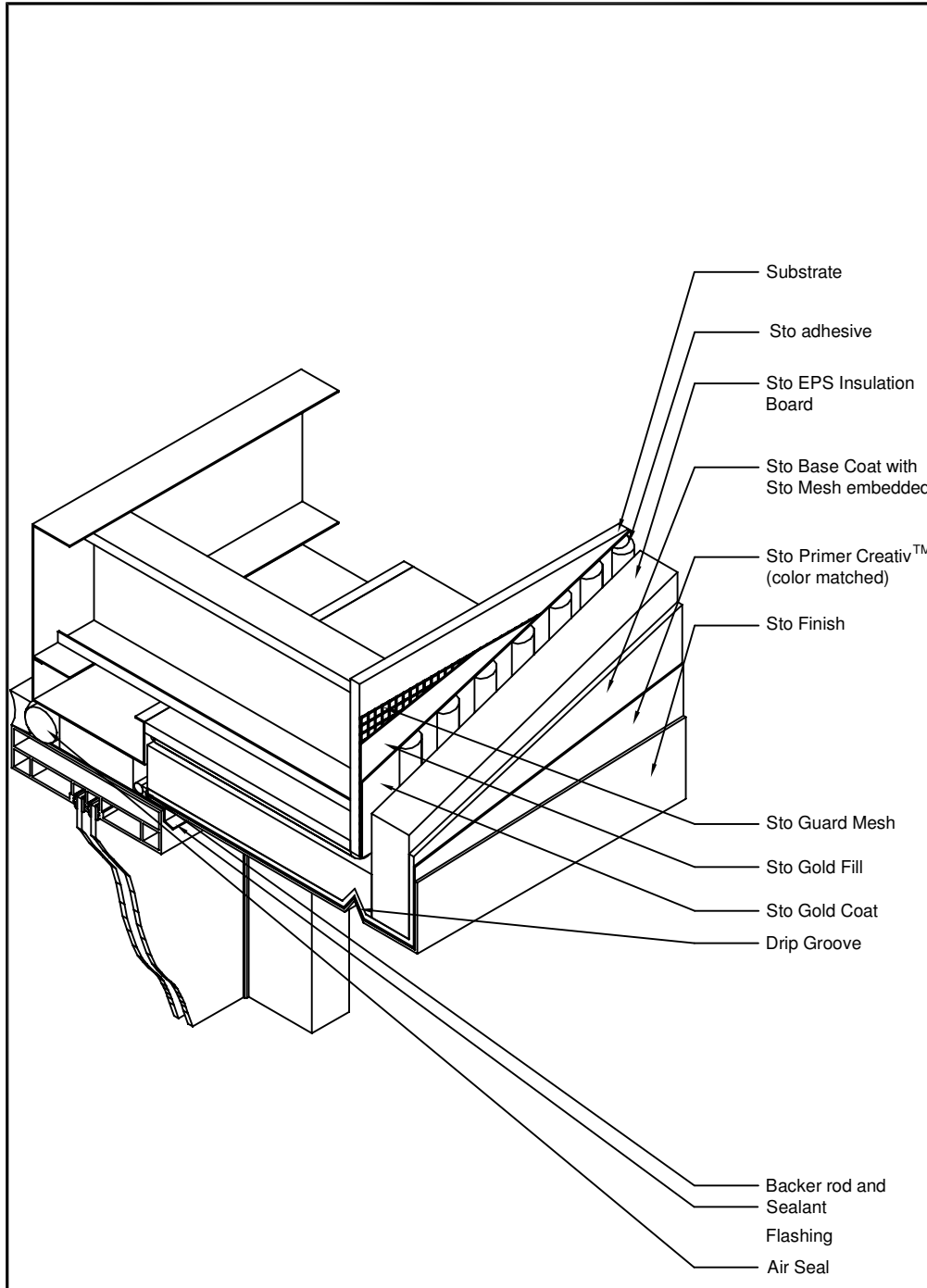
www.stocorp.com



**StoTherm[®] Panelized with StoGuard[®]
Waterproof Air Barrier
Window Head with Soffit**

Detail No: 50.07G

Date: March 2010



Notes:

- 1) Install StoTherm[®] system in accordance with standard Sto specifications.
- 2) Wrap StoGuard[®]Mesh, Sto Gold Fill[®] and Sto Gold Coat[®] onto framing at sheathing terminations minimum 2-1/2 inches (63.5mm).
- 3) In lieu of backwrapping, wrap base coat, mesh and Sto Primer Creativ[™] onto panel framing at panel edges minimum 2-1/2 inches (63.5 mm).
- 4) Do not apply finish on surfaces where sealant will be installed.
- 5) Provide exterior weather seal and interior air seal at panel and penetration terminations.
- 6) Important: Components not identified as Sto are furnished by other manufacturers and are not necessarily installed by trades who install Sto products. Refer to project specific contract documents.

ATTENTION

Sto products are intended for use by qualified professional contractors, not consumers, as a component of a larger construction assembly as specified by a qualified design professional, general contractor or builder. They should be installed in accordance with those specifications and Sto's instructions. Sto Corp. disclaims all, and assumes no, liability for on-site inspections, for its products applied improperly, or by unqualified persons or entities, or as part of an improperly designed or constructed building, for the nonperformance of adjacent building components or assemblies, or for other construction activities beyond Sto's control. Improper use of Sto products or use as part of an improperly designed or constructed larger assembly or building may result in serious damage to Sto products, and to the structure of the building or its components. STO CORP. DISCLAIMS ALL WARRANTIES EXPRESSED OR IMPLIED EXCEPT FOR EXPLICIT LIMITED WRITTEN WARRANTIES ISSUED TO AND ACCEPTED BY BUILDING OWNERS IN ACCORDANCE WITH STO'S WARRANTY PROGRAMS WHICH ARE SUBJECT TO CHANGE FROM TIME TO TIME. For the fullest, most current information on proper application, clean-up, mixing and other specifications and warranties, cautions and disclaimers, please refer to the Sto Corp. website, www.stocorp.com.

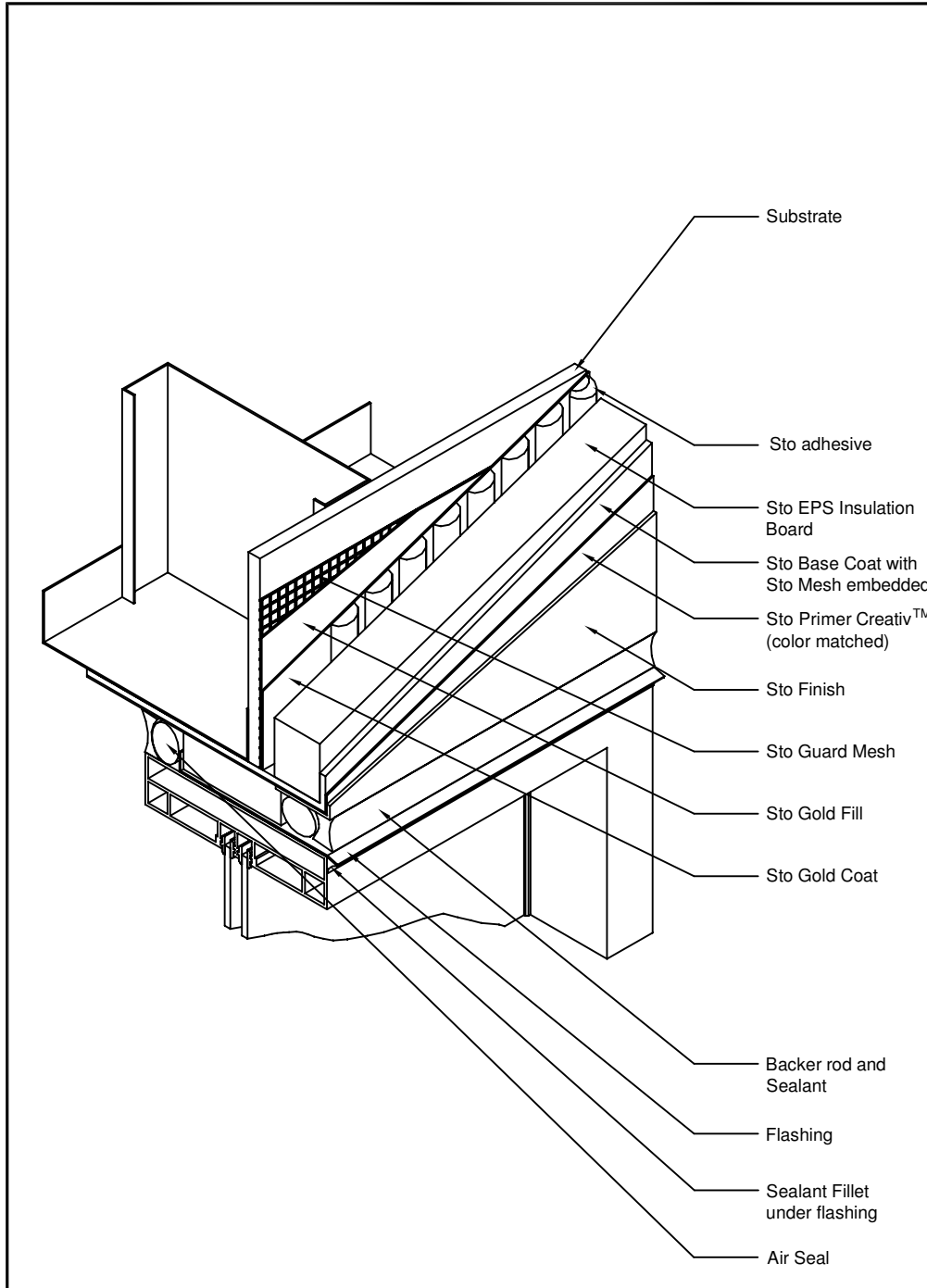
www.stocorp.com



StoTherm® Panelized with StoGuard® Waterproof Air Barrier Window Head

Detail No: 50.08G

Date: March 2010



Notes:

- 1) Install StoTherm® system in accordance with standard Sto specifications.
- 2) Wrap StoGuard® Mesh, Sto Gold Fill® and Sto Gold Coat® onto framing at sheathing terminations minimum 2-1/2 inches (63.5mm).
- 3) In lieu of backwrapping, wrap base coat, mesh and Sto Primer Creativ™ onto panel framing at panel edges minimum 2-1/2 inches (63.5 mm).
- 4) Do not apply finish on surfaces where sealant will be installed.
- 5) Provide exterior weather seal and interior air seal at panel and penetration terminations.
- 6) Important: Components not identified as Sto are furnished by other manufacturers and are not necessarily installed by trades who install Sto products. Refer to project specific contract documents.

ATTENTION

Sto products are intended for use by qualified professional contractors, not consumers, as a component of a larger construction assembly as specified by a qualified design professional, general contractor or builder. They should be installed in accordance with those specifications and Sto's instructions. Sto Corp. disclaims all, and assumes no, liability for on-site inspections, for its products applied improperly, or by unqualified persons or entities, or as part of an improperly designed or constructed building, for the nonperformance of adjacent building components or assemblies, or for other construction activities beyond Sto's control. Improper use of Sto products or use as part of an improperly designed or constructed larger assembly or building may result in serious damage to Sto products, and to the structure of the building or its components. STO CORP. DISCLAIMS ALL WARRANTIES EXPRESSED OR IMPLIED EXCEPT FOR EXPLICIT LIMITED WRITTEN WARRANTIES ISSUED TO AND ACCEPTED BY BUILDING OWNERS IN ACCORDANCE WITH STO'S WARRANTY PROGRAMS WHICH ARE SUBJECT TO CHANGE FROM TIME TO TIME. For the fullest, most current information on proper application, clean-up, mixing and other specifications and warranties, cautions and disclaimers, please refer to the Sto Corp. website, www.stocorp.com.

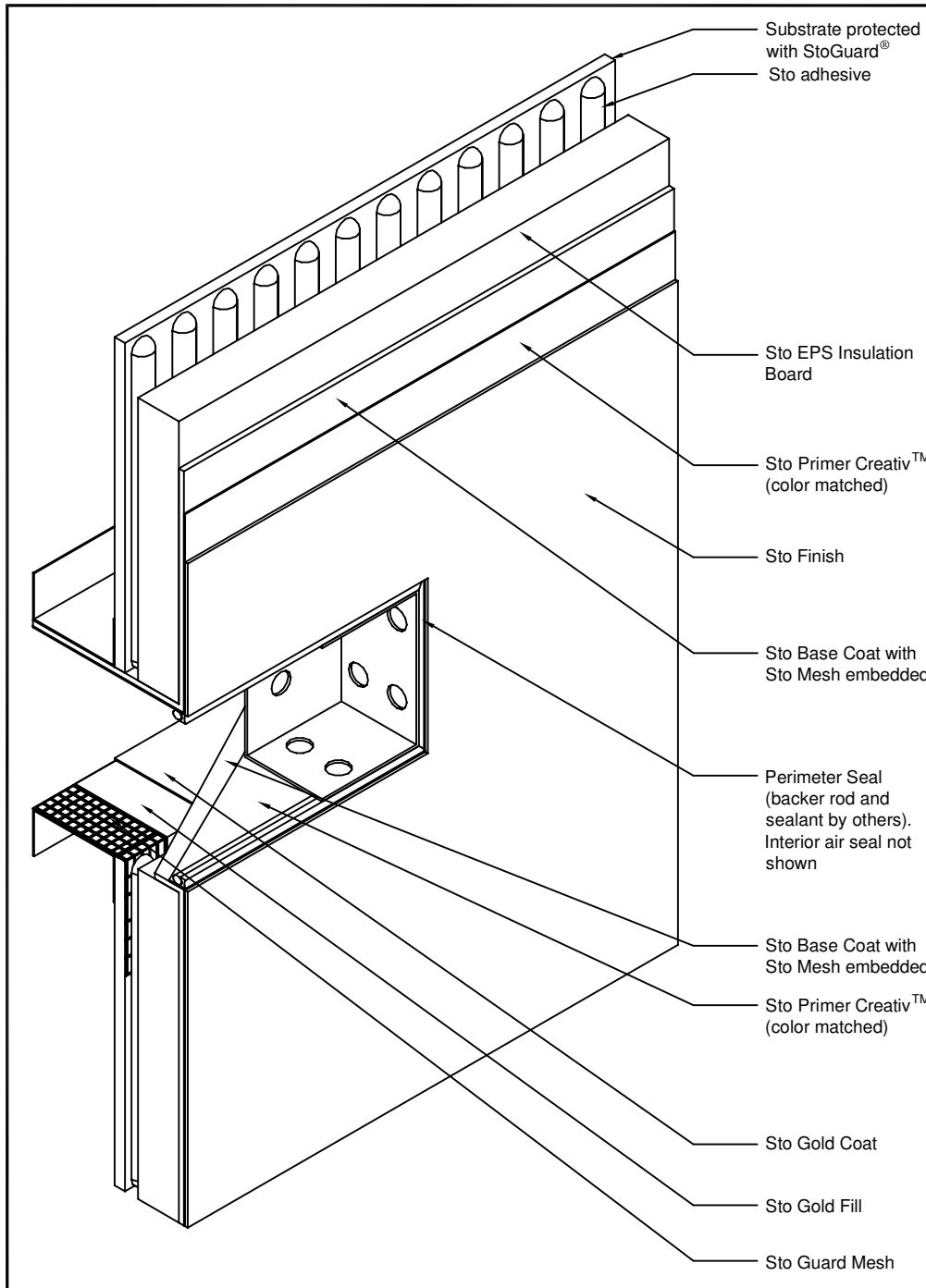
www.stocorp.com



StoTherm[®] Panelized with StoGuard[®] Waterproof Air Barrier Utility Penetration

Detail No: 50.09G

Date: March 2010



Notes:

- 1) Install StoTherm[®] system in accordance with standard Sto specifications.
- 2) Wrap StoGuard[®] Mesh, Sto Gold Fill[®] and Sto Gold Coat[®] onto framing at sheathing terminations minimum 2-1/2 inches (63.5mm).
- 3) In lieu of backwrapping, wrap base coat, mesh and Sto Primer Creativ[™] onto panel framing at panel edges minimum 2-1/2 inches (63.5 mm).
- 4) Do not apply finish on surfaces where sealant will be installed.
- 5) Provide exterior weather seal and interior air seal at panel and penetration terminations.
- 6) Important: Components not identified as Sto are furnished by other manufacturers and are not necessarily installed by trades who install Sto products. Refer to project specific contract documents.

ATTENTION

Sto products are intended for use by qualified professional contractors, not consumers, as a component of a larger construction assembly as specified by a qualified design professional, general contractor or builder. They should be installed in accordance with those specifications and Sto's instructions. Sto Corp. disclaims all, and assumes no, liability for on-site inspections, for its products applied improperly, or by unqualified persons or entities, or as part of an improperly designed or constructed building, for the nonperformance of adjacent building components or assemblies, or for other construction activities beyond Sto's control. Improper use of Sto products or use as part of an improperly designed or constructed larger assembly or building may result in serious damage to Sto products, and to the structure of the building or its components. STO CORP. DISCLAIMS ALL WARRANTIES EXPRESSED OR IMPLIED EXCEPT FOR EXPLICIT LIMITED WRITTEN WARRANTIES ISSUED TO AND ACCEPTED BY BUILDING OWNERS IN ACCORDANCE WITH STO'S WARRANTY PROGRAMS WHICH ARE SUBJECT TO CHANGE FROM TIME TO TIME. For the fullest, most current information on proper application, clean-up, mixing and other specifications and warranties, cautions and disclaimers, please refer to the Sto Corp. website, www.stocorp.com.

www.stocorp.com